

 **agama**

www.agama-rc.com

AZ15



Instruction Manual

***1/8 SCALE 4WD NITRO
OFFROAD BUGGY***

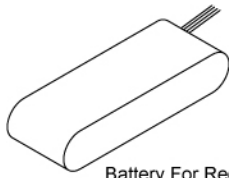
Agama vehicles fit a wide range of skilled drivers. Pros and Beginners alike can experience Agama products with great results!
Agama products are designed with quality and precision in mind.

Made in Taiwan

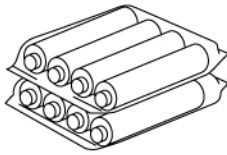
Notice: The following items are needed for completion of the PRO KIT, They are not included with this kit (unless noted), and should be obtained from your local hobby shop.

Be sure to read the instructions completely prior to assembly.

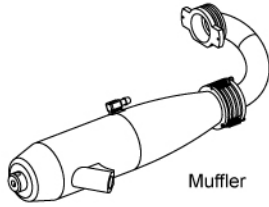
ADDITIONAL ITEMS NEEDED FOR COMPLETION



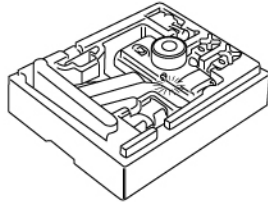
Battery For Receiver



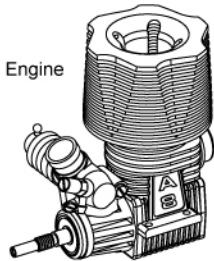
Battery For Transmitter



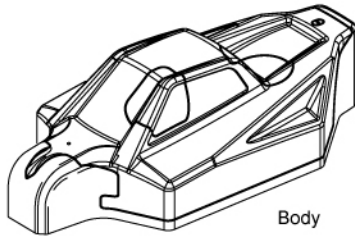
Muffler



2 Channel Radio



Engine

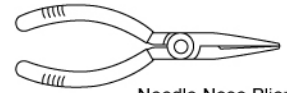


Body

TOOLS NEEDED TO ASSEMBLE



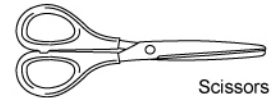
Hex Wrenches



Needle Nose Pliers



Phillips Type Screw Driver



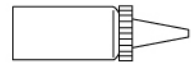
Scissors



Box Wrench(5.5mm / 7mm / 10mm)



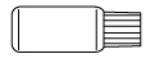
Hobby Knife



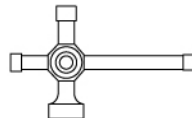
Instant Glue



Pliers



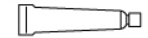
Screw (Sement)



Utility Wrench



Glass or Vinyl Tape



Rubber Glue

ADDITIONAL ITEMS NEEDED FOR STARTING



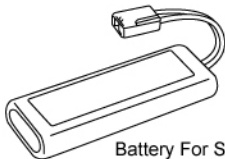
Air Filter Oil



Fuel Pump



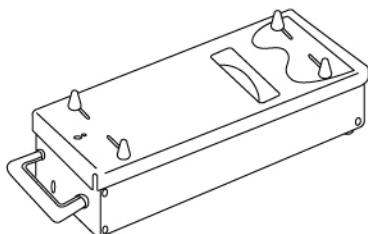
Fuel



Battery For Starter Box

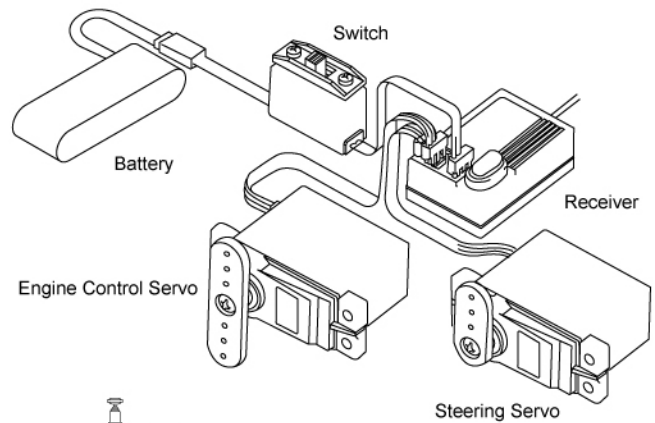


Glow Plug Ignitor



Starter Box

ITEMS NEEDED TO CONTROL CAR



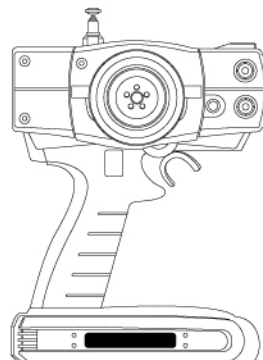
Battery

Switch

Receiver

Engine Control Servo

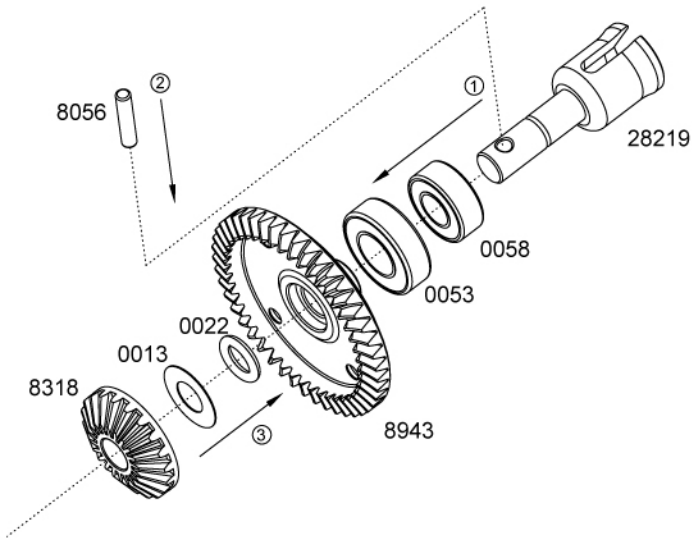
Steering Servo



Transmitter

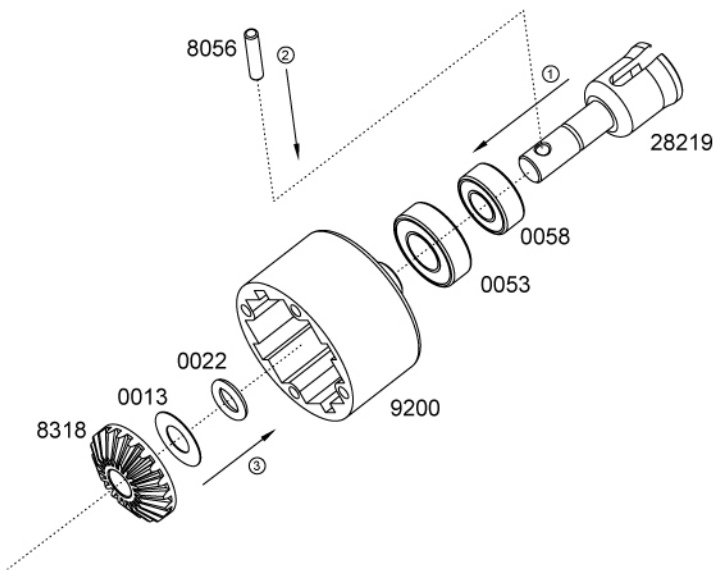
STEP A - 1

Front Diff Ring Gear Assembly



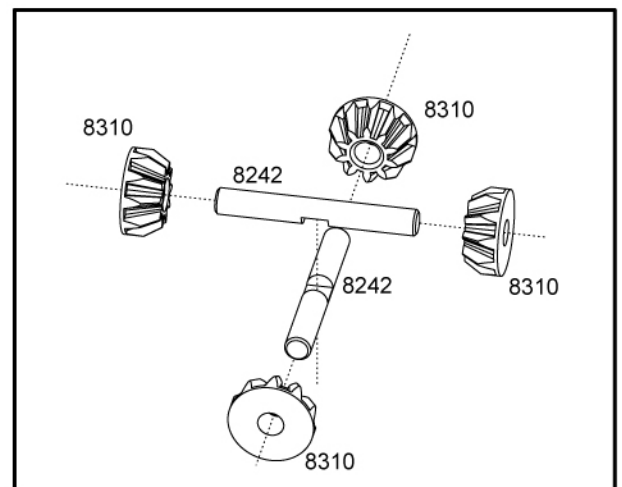
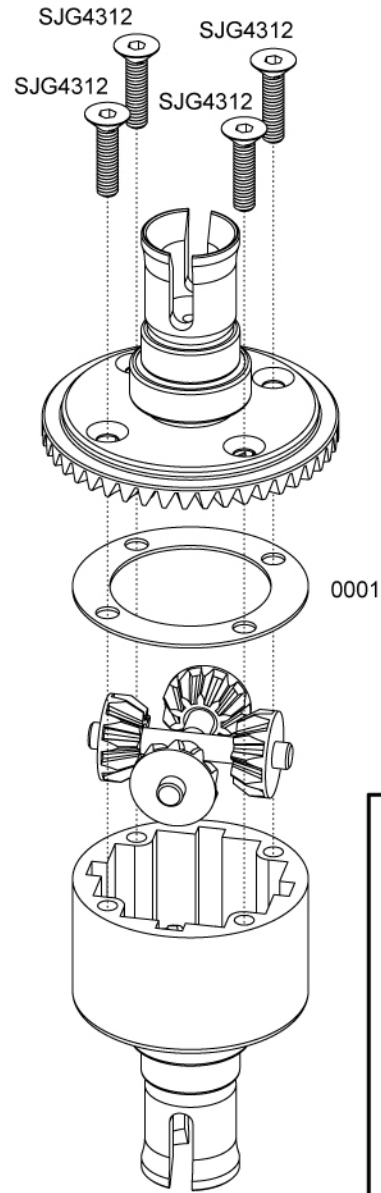
STEP A - 2

Front Diff Case Assembly



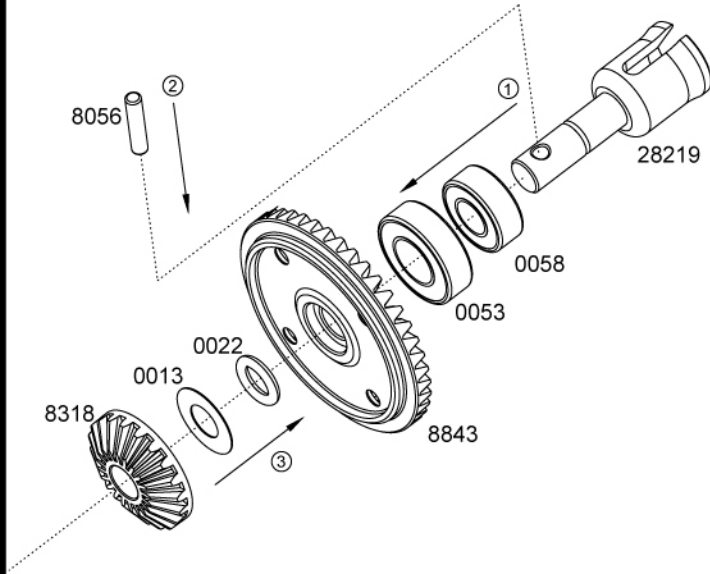
STEP A - 3

Complete Front Diff Assembly



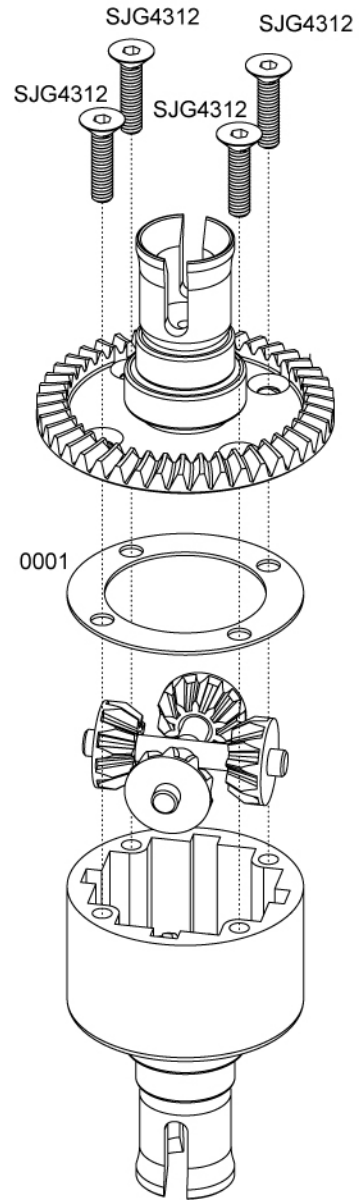
STEP A - 4

Rear Diff Ring Gear Assembly



STEP A - 6

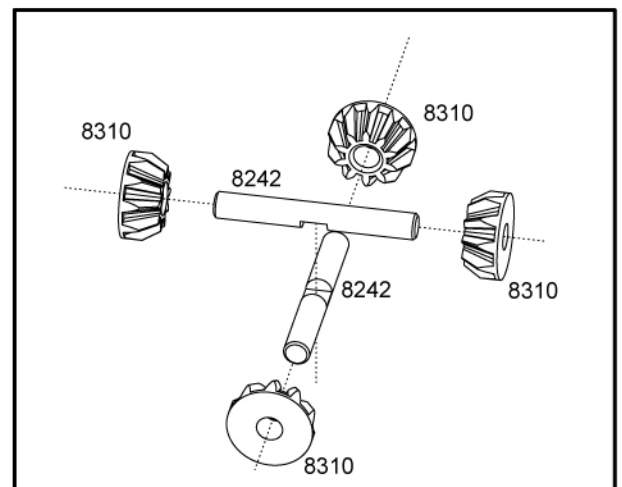
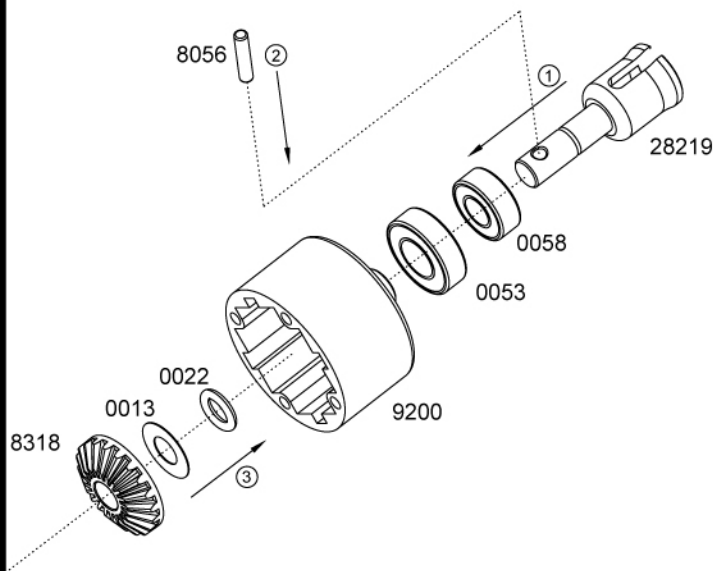
Complete Rear Diff Assembly



Fill with 5000wt. oil just above the planetary gear.

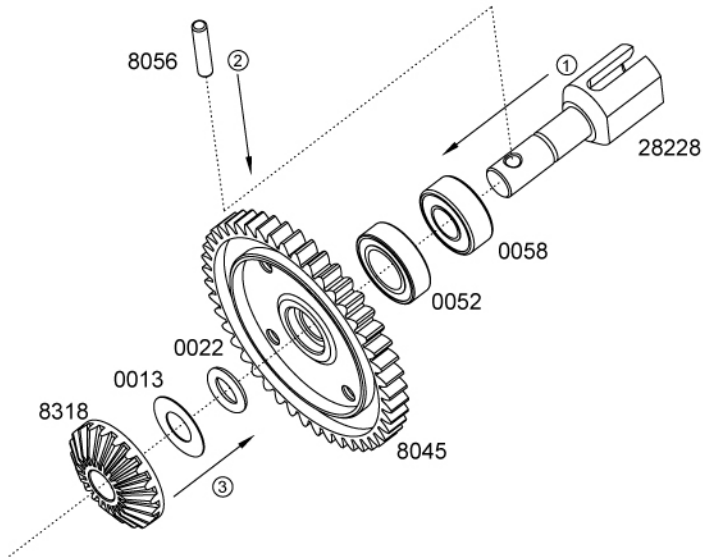
STEP A - 5

Rear Diff Case Assembly



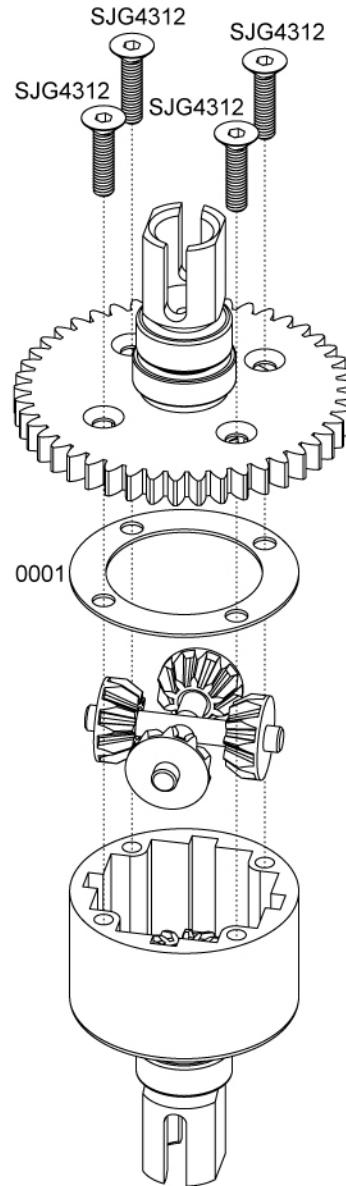
STEP A - 7

Center Diff Ring Gear Assembly

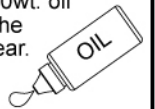


STEP A - 9

Complete Center Diff Assembly

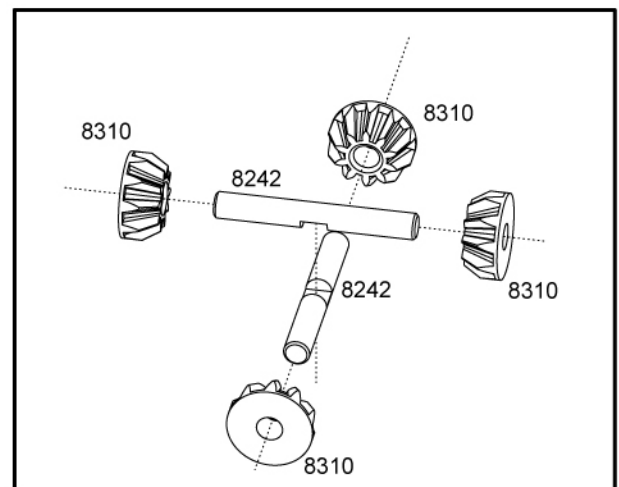
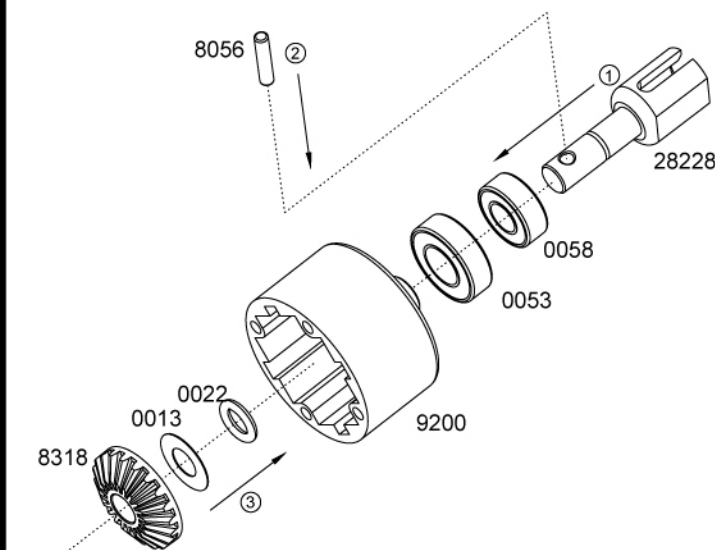


Fill with 5000wt. oil just above the planetary gear.



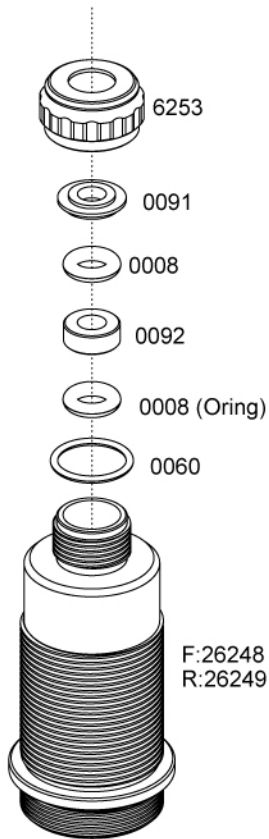
STEP A - 8

Center Diff Case Assembly



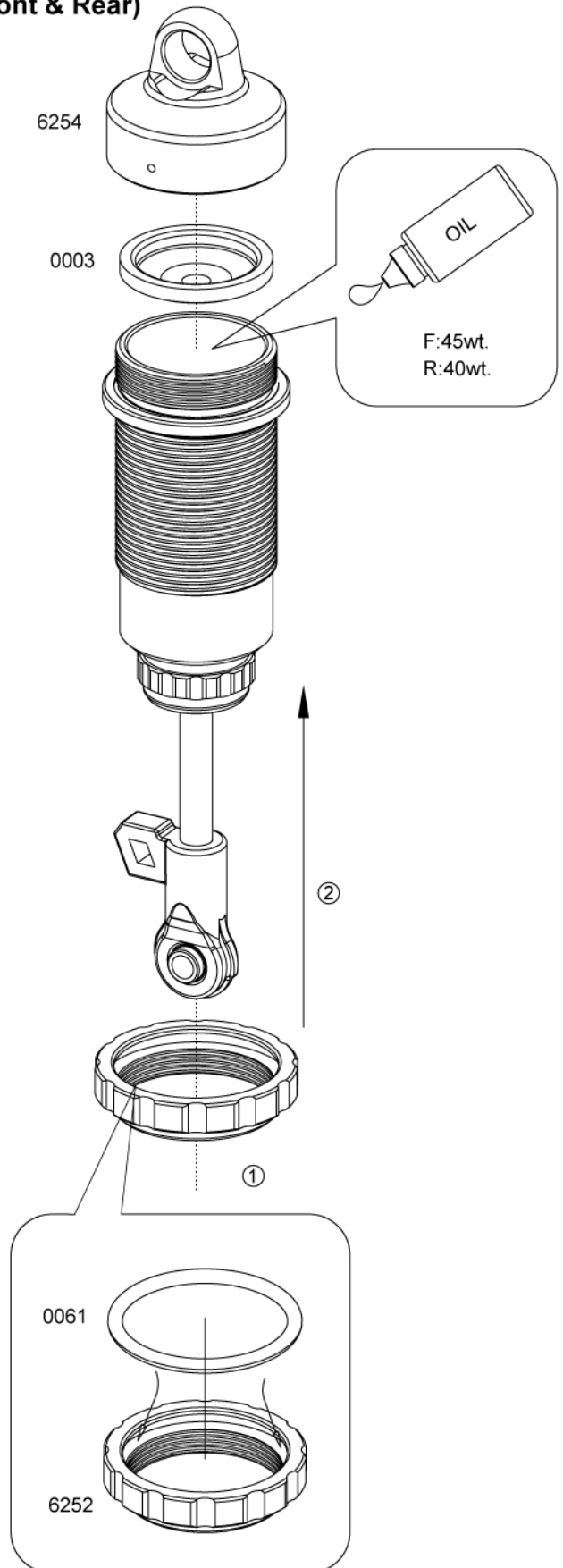
STEP B - 1

Shock Assembly (Front & Rear)



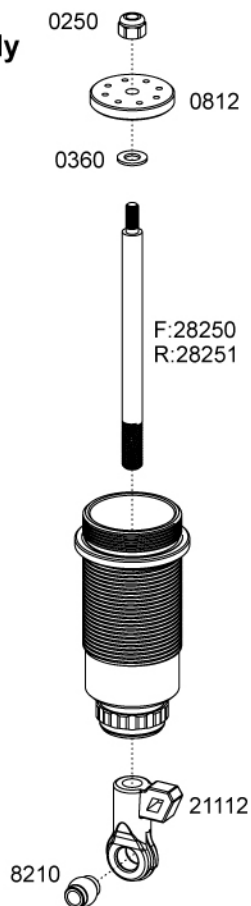
STEP B - 3

Shock Assembly (Front & Rear)



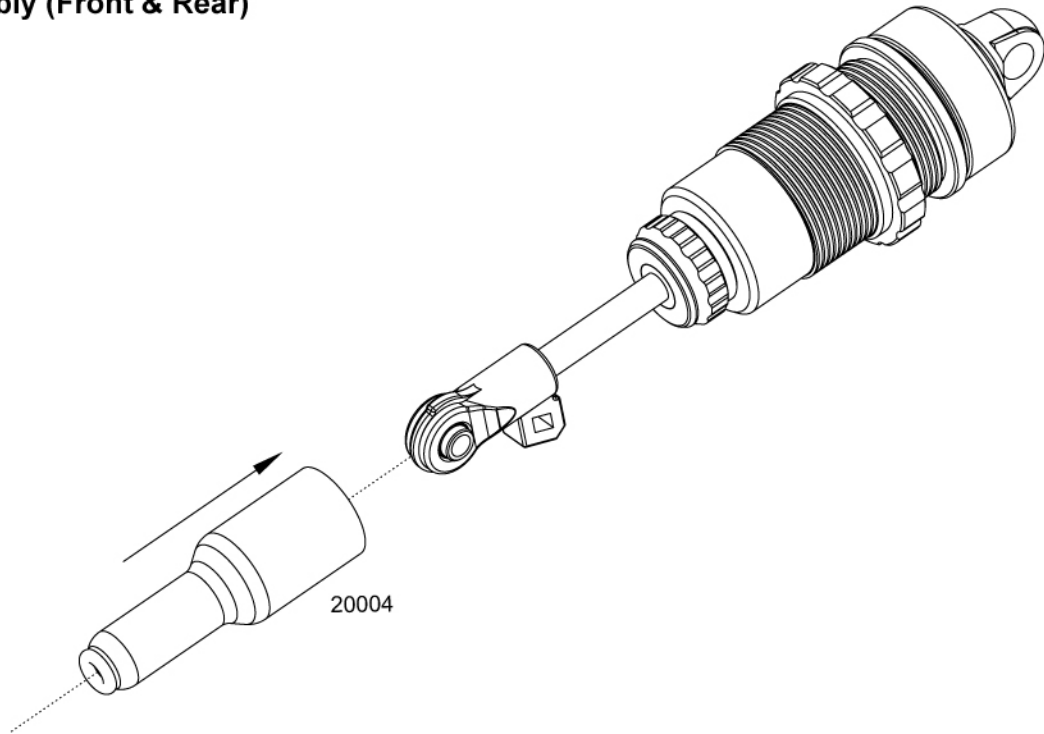
STEP B - 2

Shock Assembly (Front & Rear)



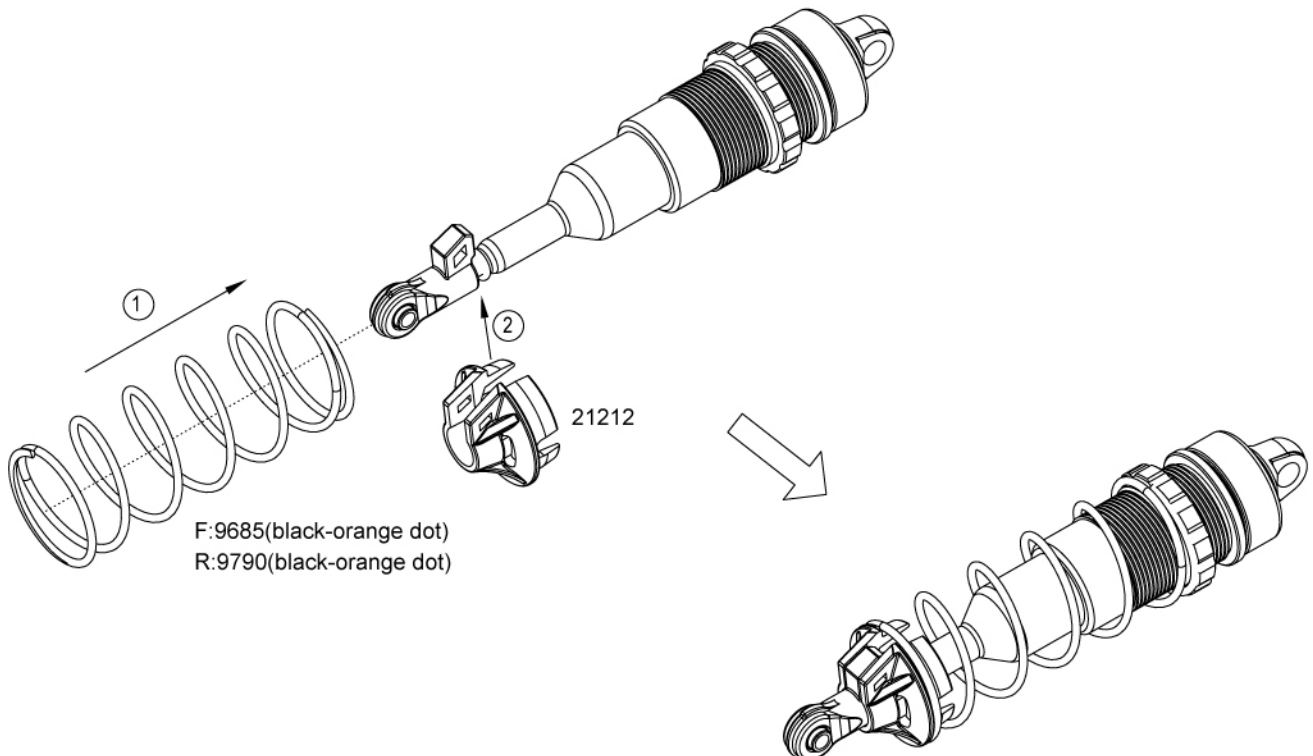
STEP B - 4

Shock Assembly (Front & Rear)



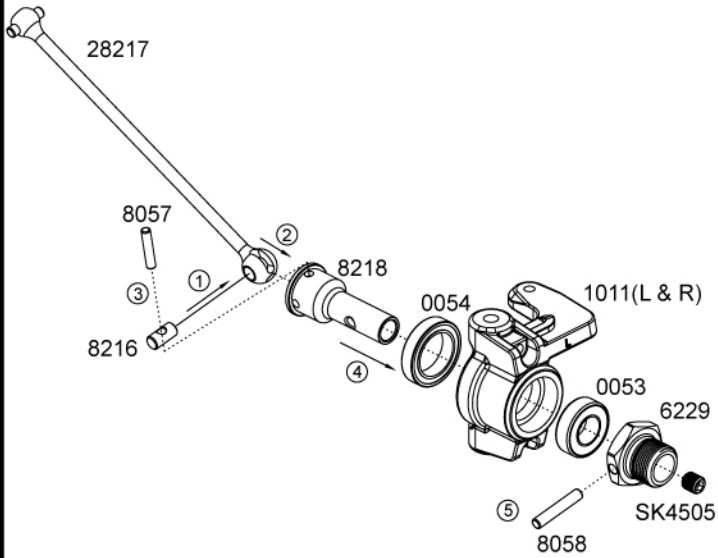
STEP B - 5

Shock Assembly (Front & Rear)



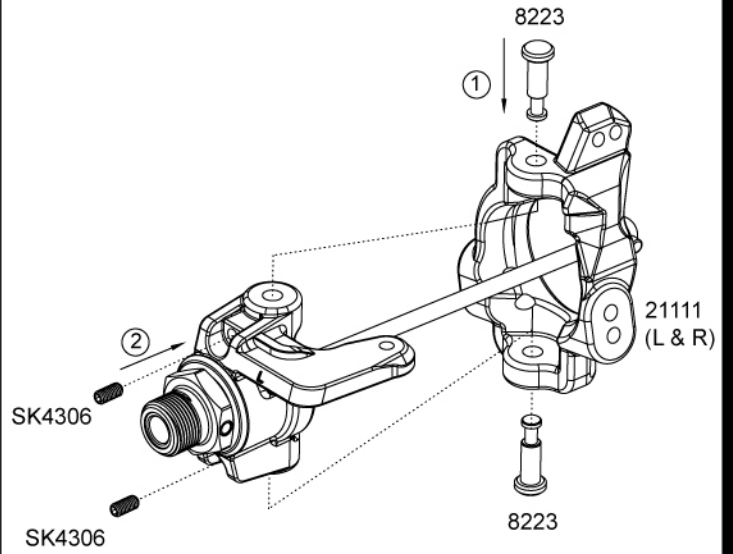
STEP C - 1

Front Spindle & CV Assembly (Left/Right)



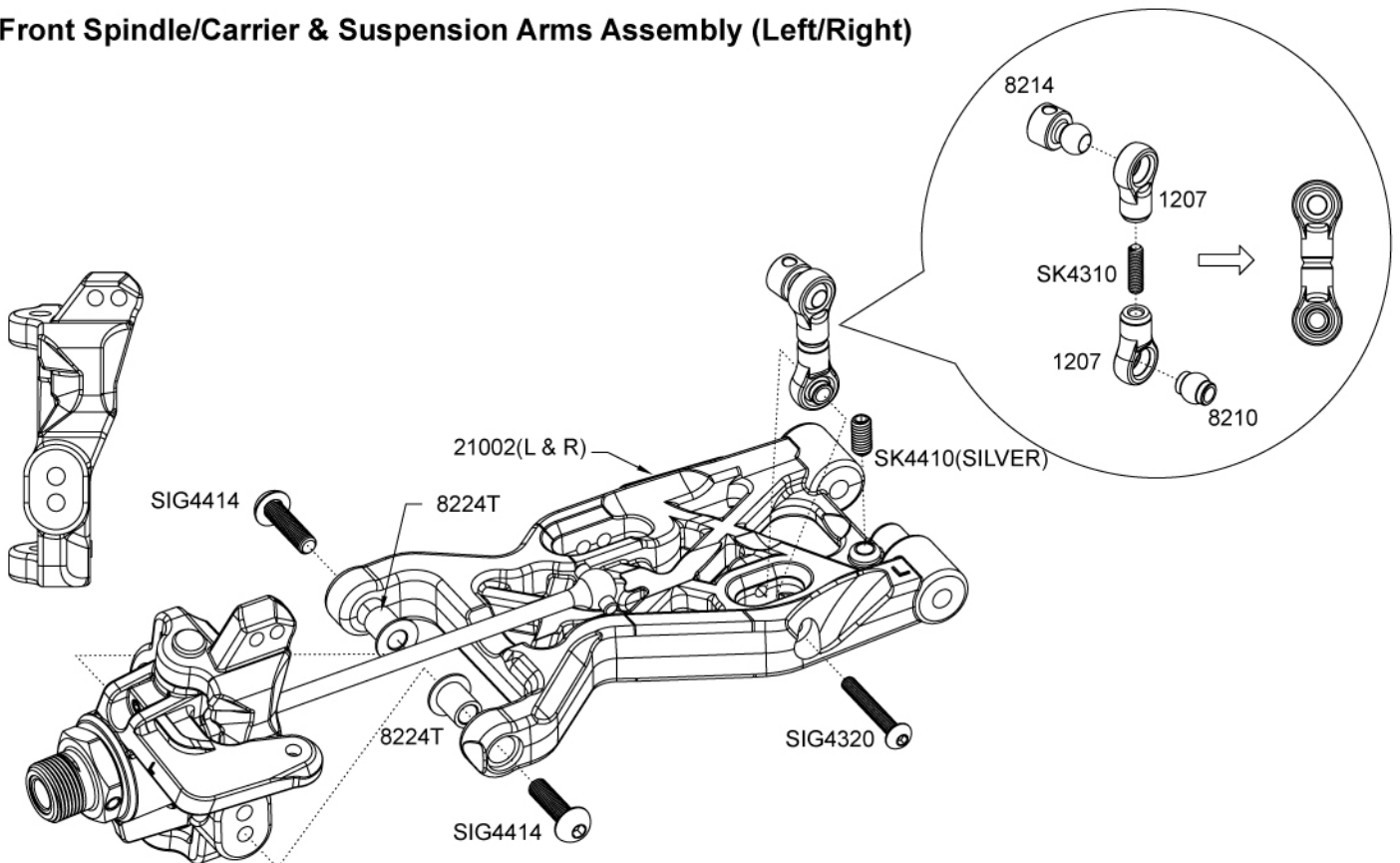
STEP C - 2

Front Spindle & Carrier Assembly (Left/Right)



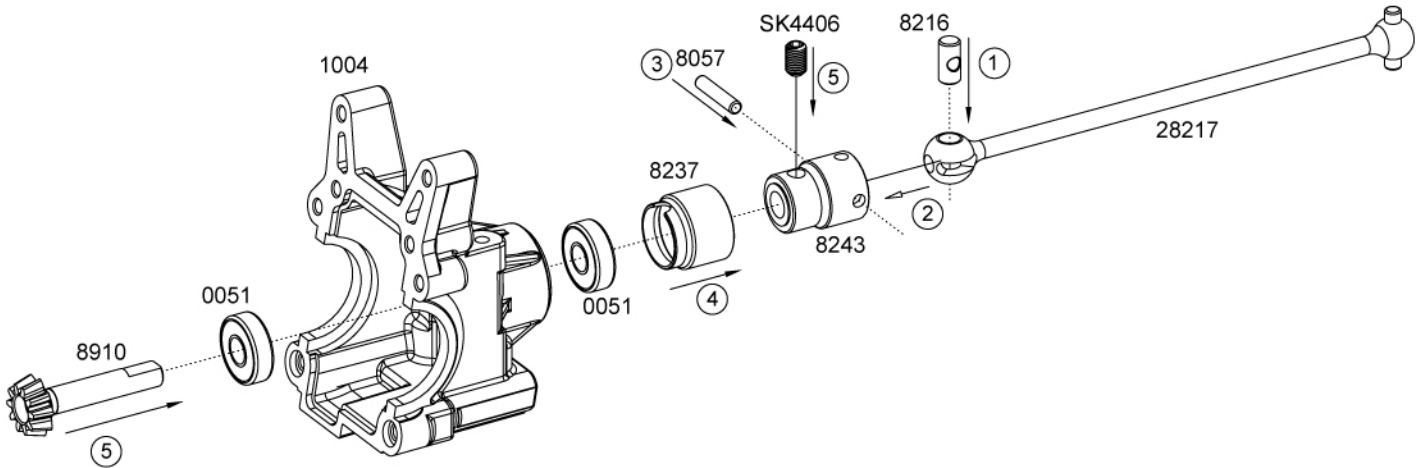
STEP C - 3

Front Spindle/Carrier & Suspension Arms Assembly (Left/Right)



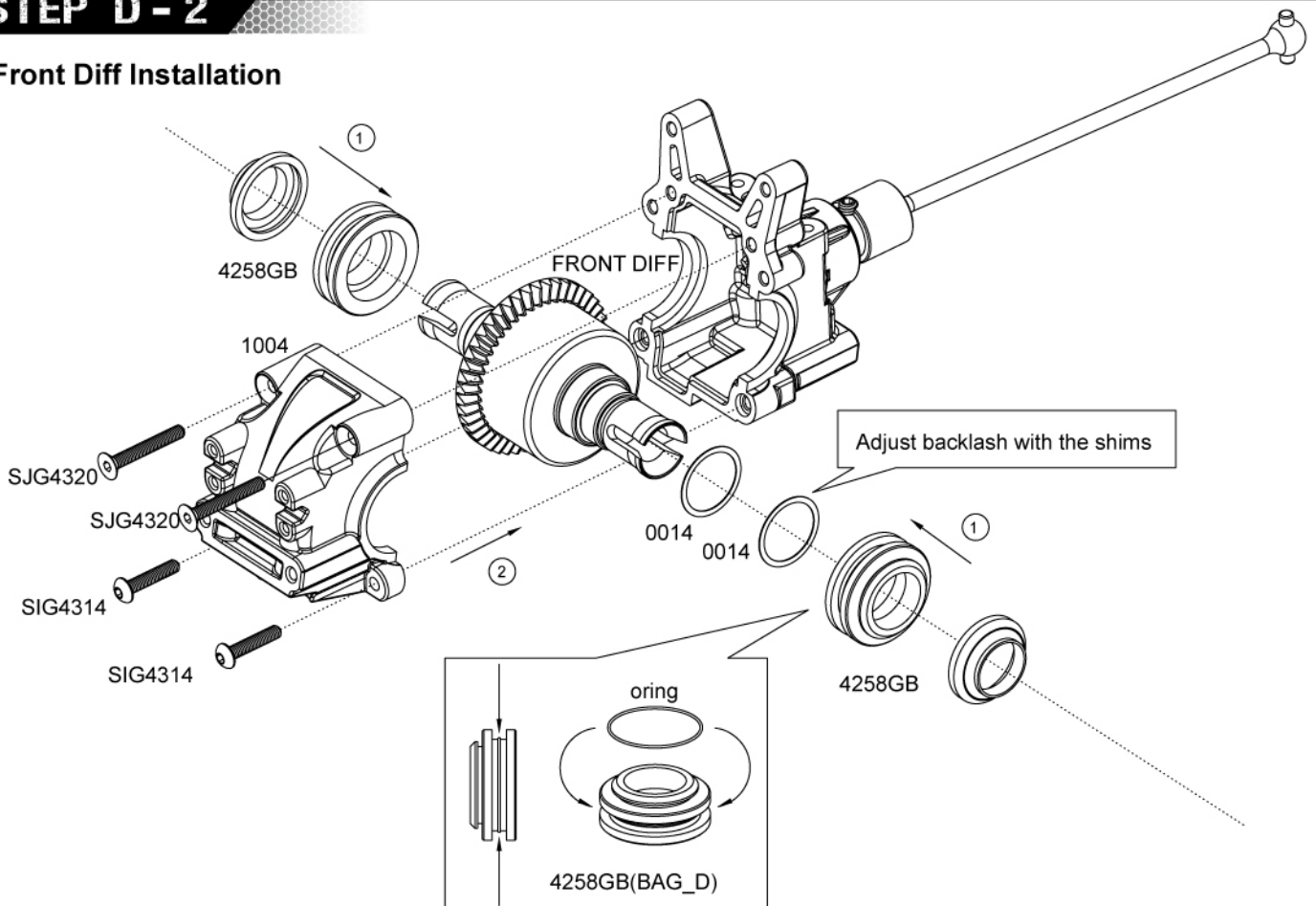
STEP D - 1

Front Diff Case & CV Assembly



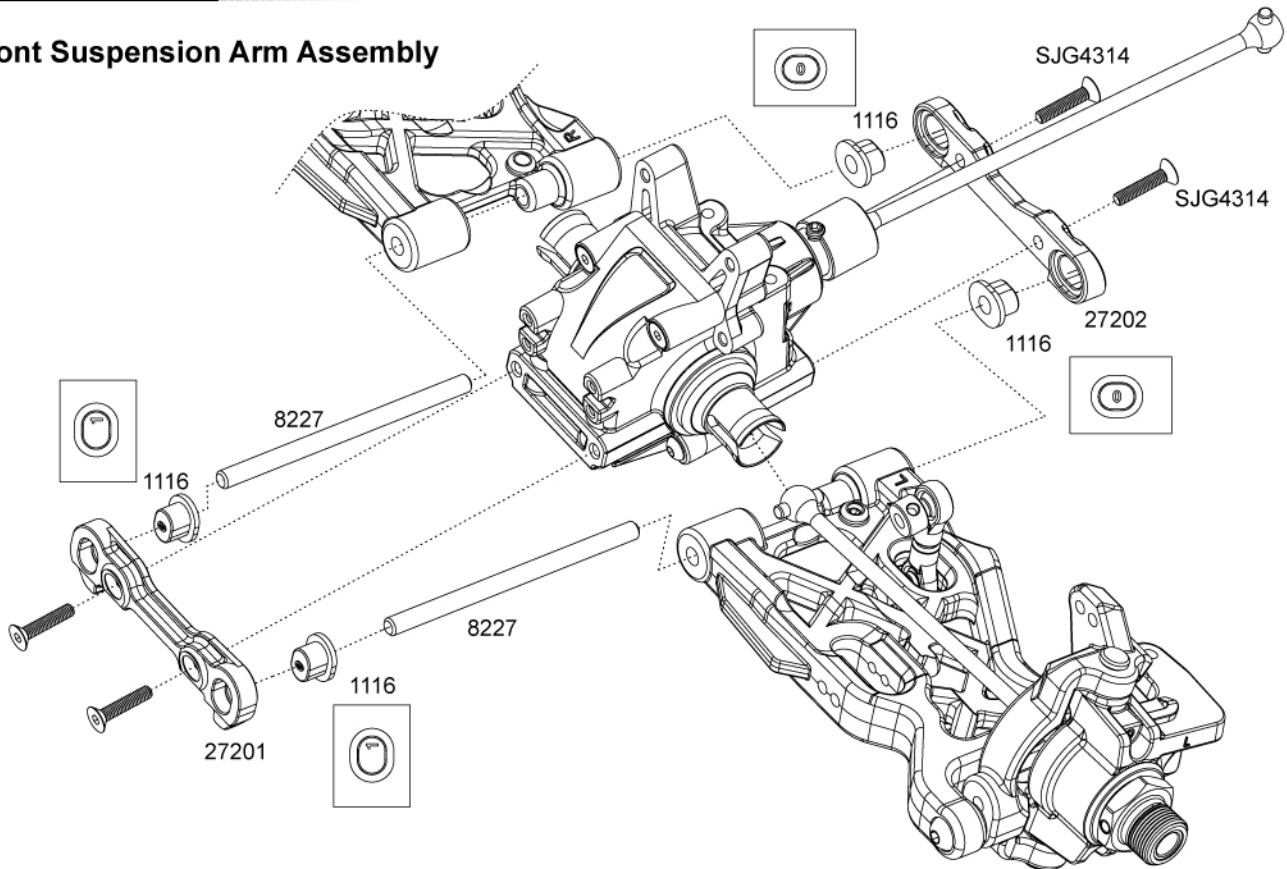
STEP D - 2

Front Diff Installation



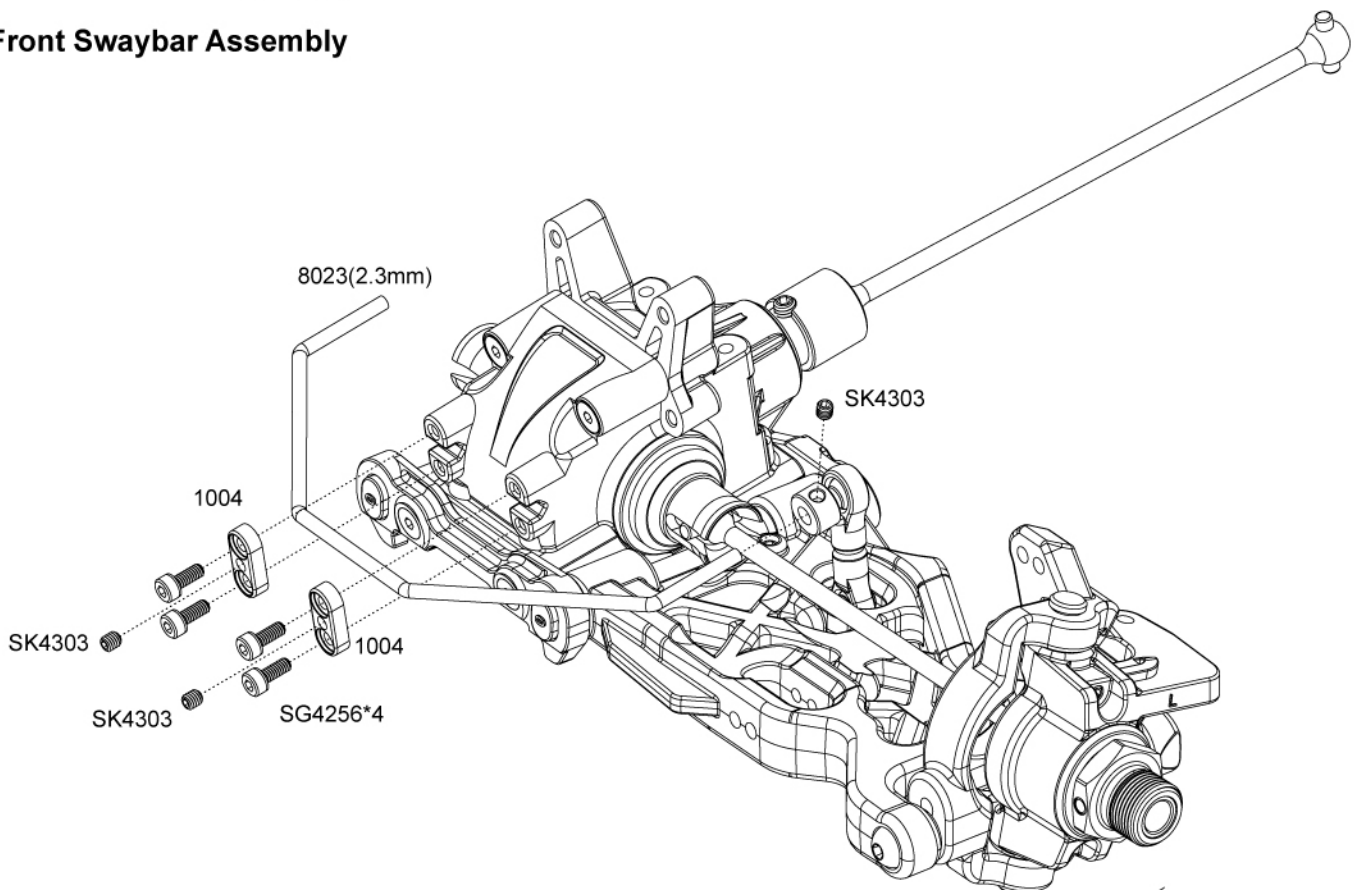
STEP D - 3

Front Suspension Arm Assembly



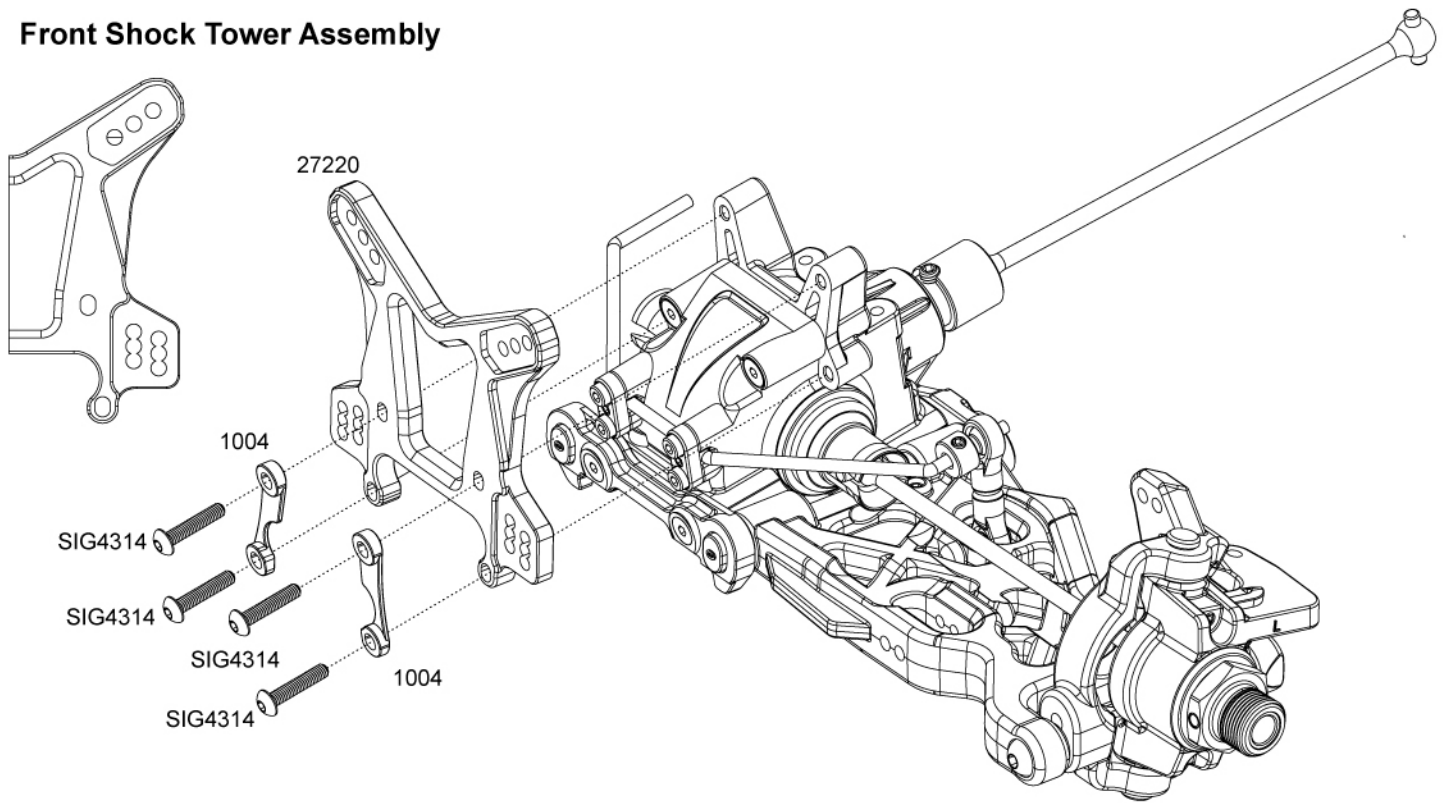
STEP D - 4

Front Swaybar Assembly



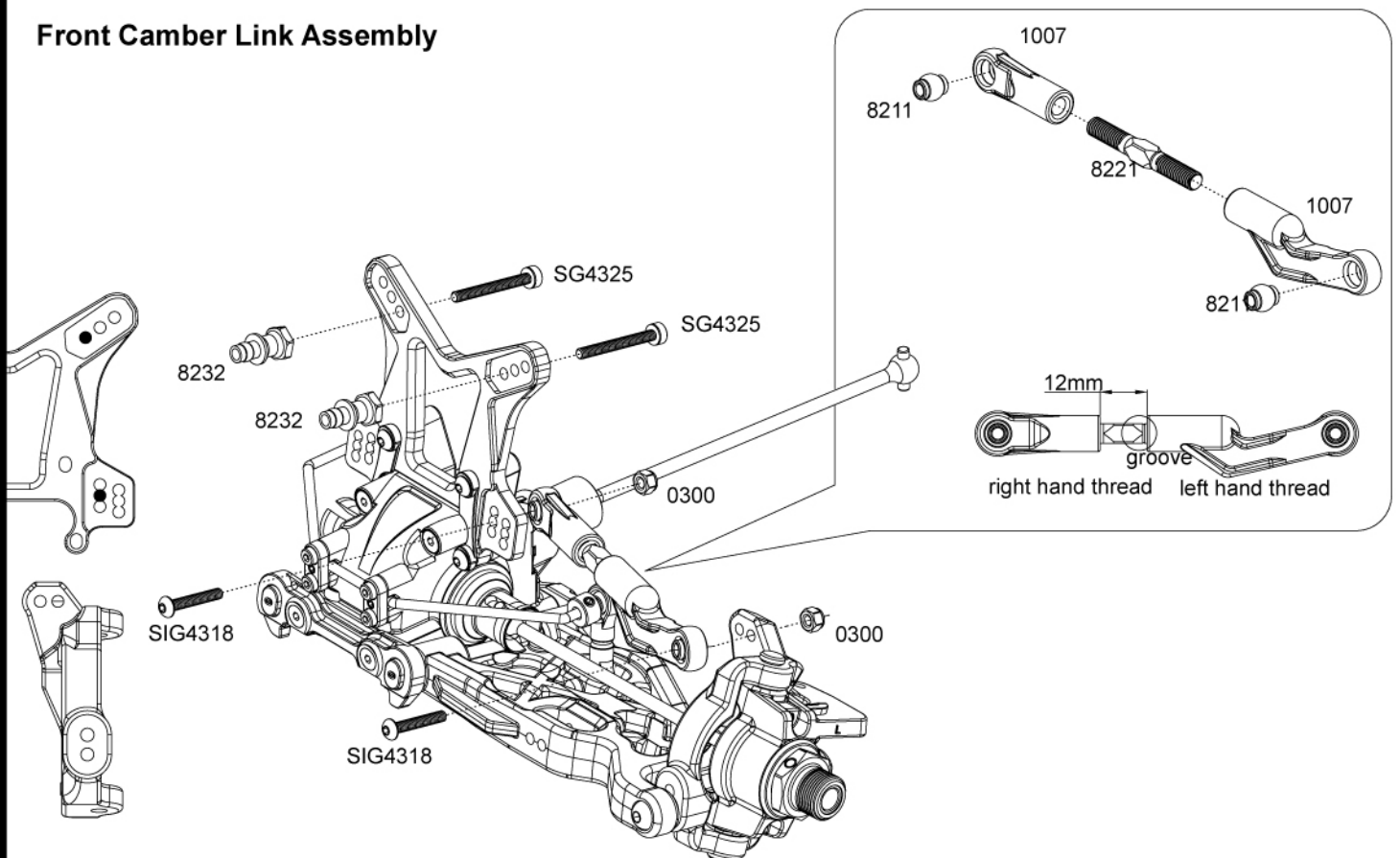
STEP D - 5

Front Shock Tower Assembly



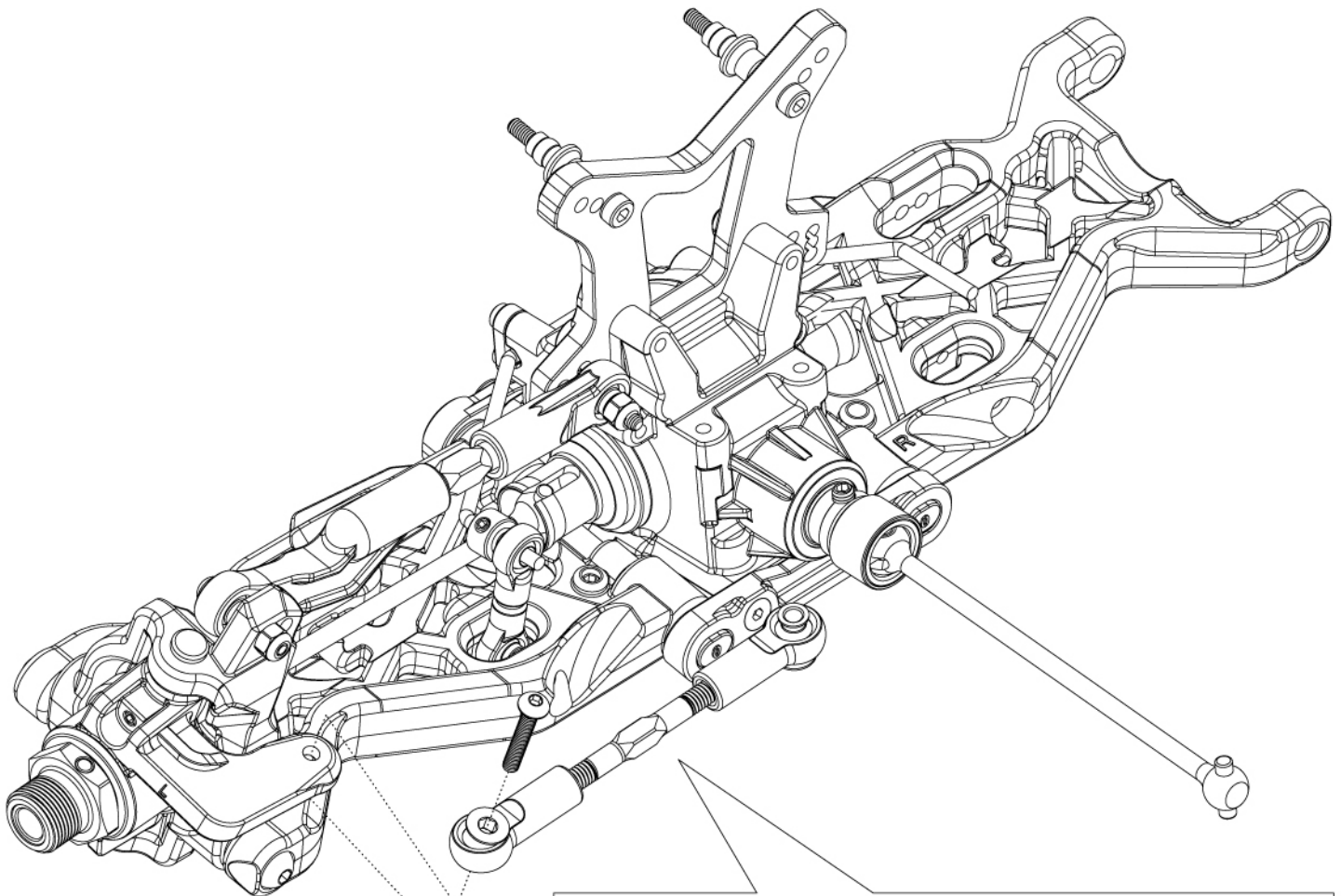
STEP D - 6

Front Camber Link Assembly

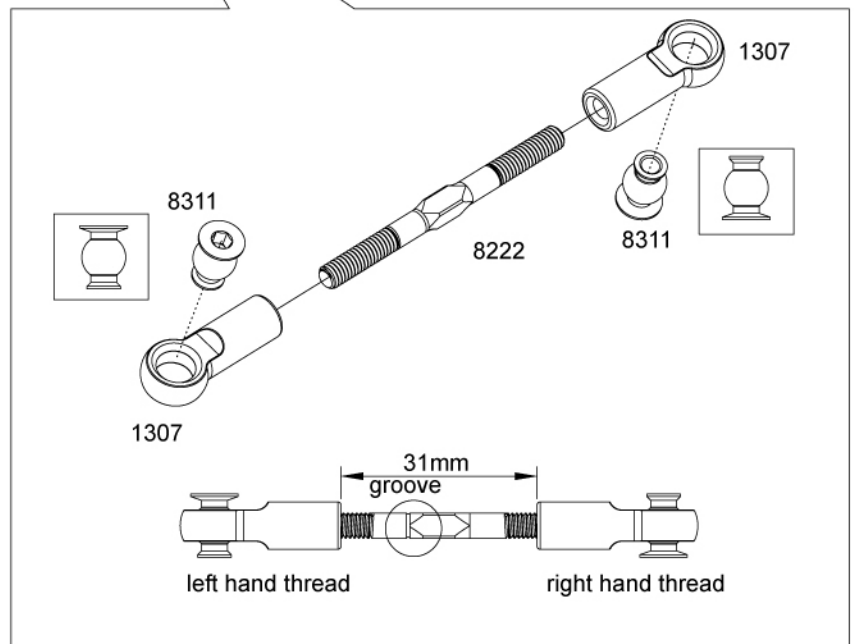


STEP D - 7

Front Steering Link Assembly

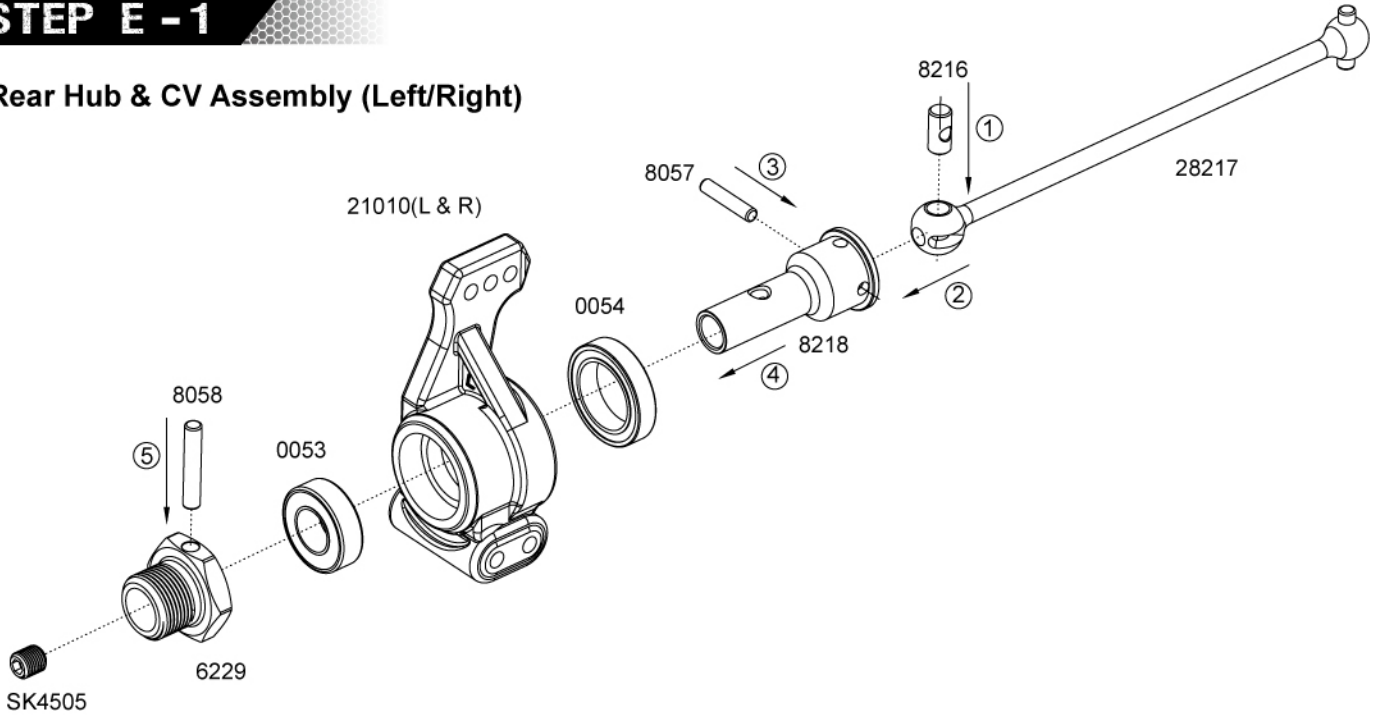


0300



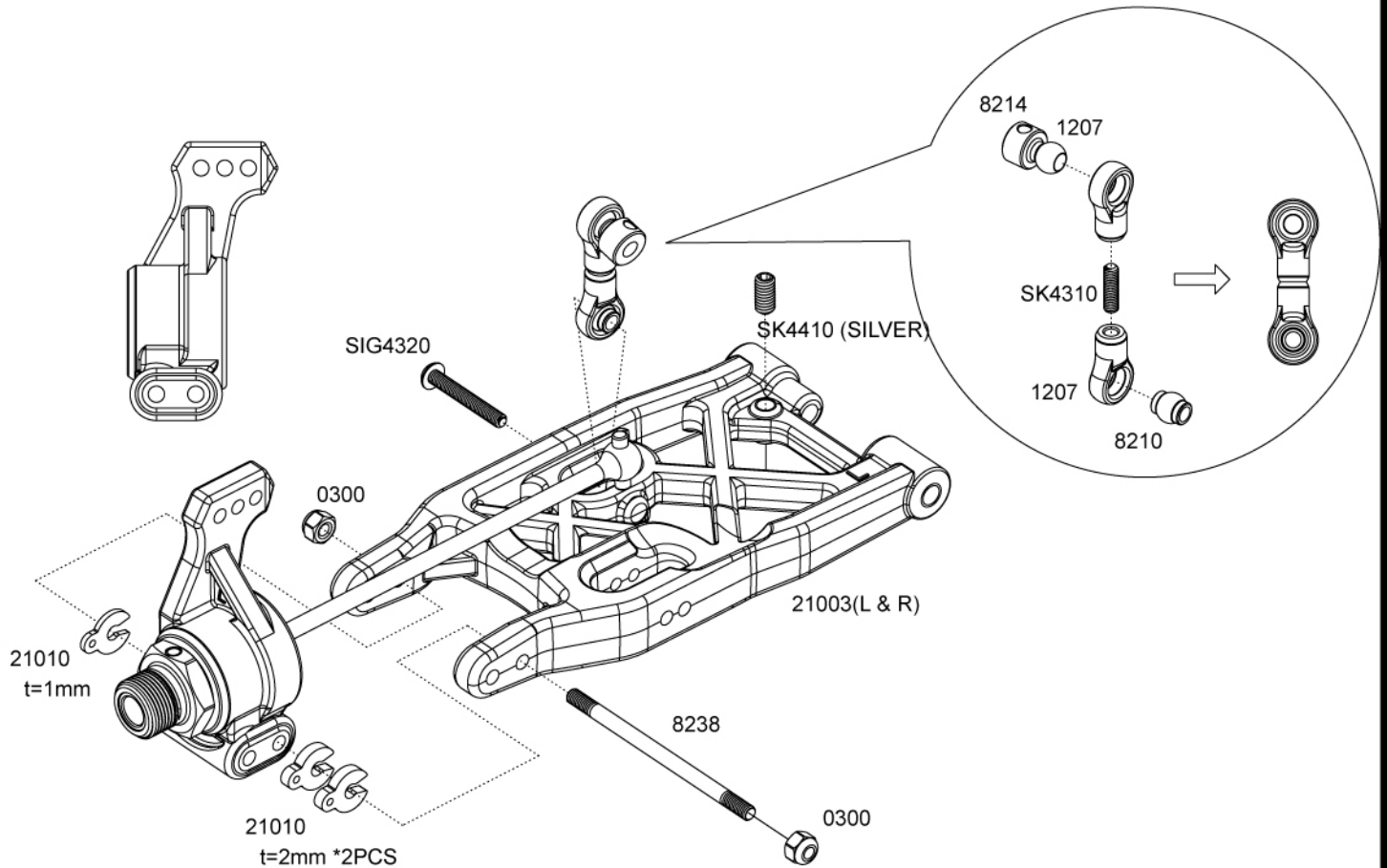
STEP E - 1

Rear Hub & CV Assembly (Left/Right)



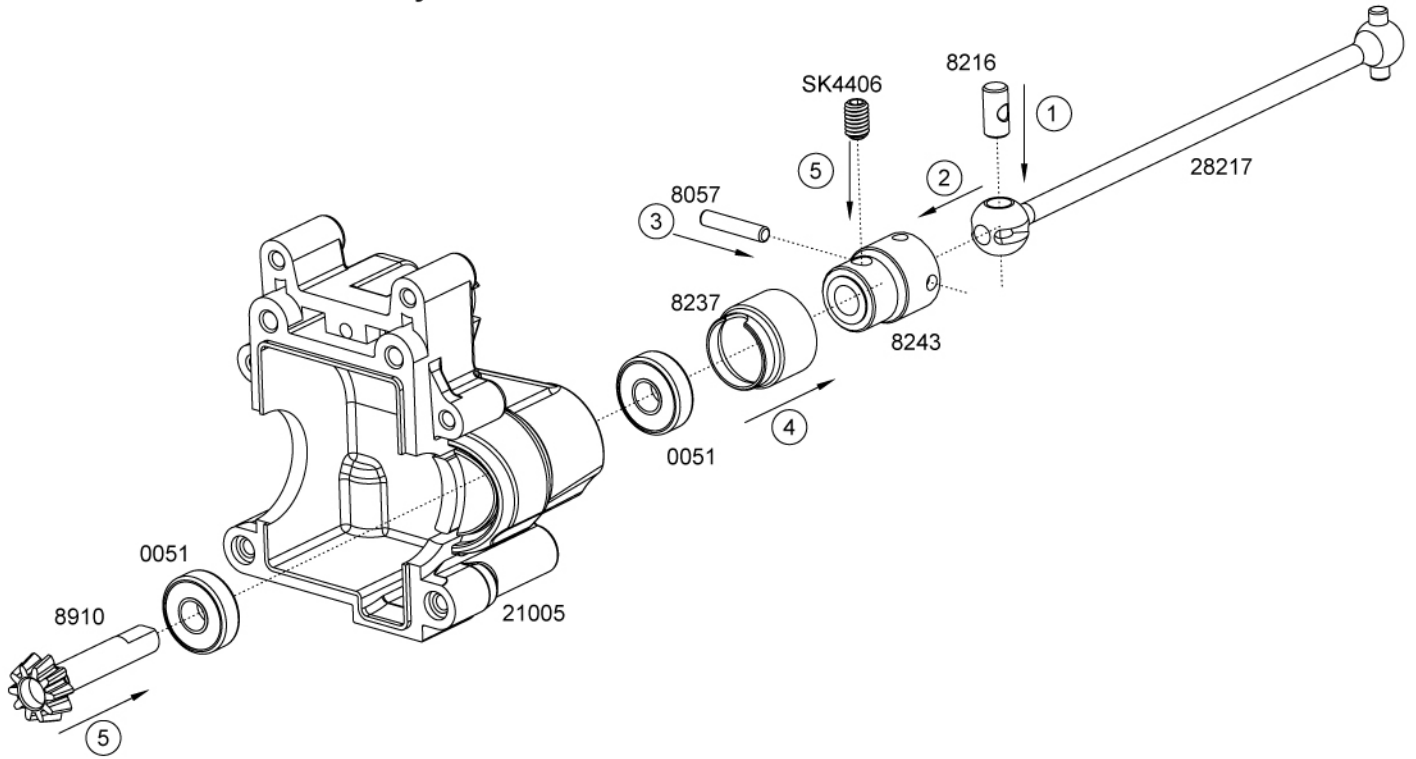
STEP E - 2

Rear Hub & CV Assembly (Left/Right)



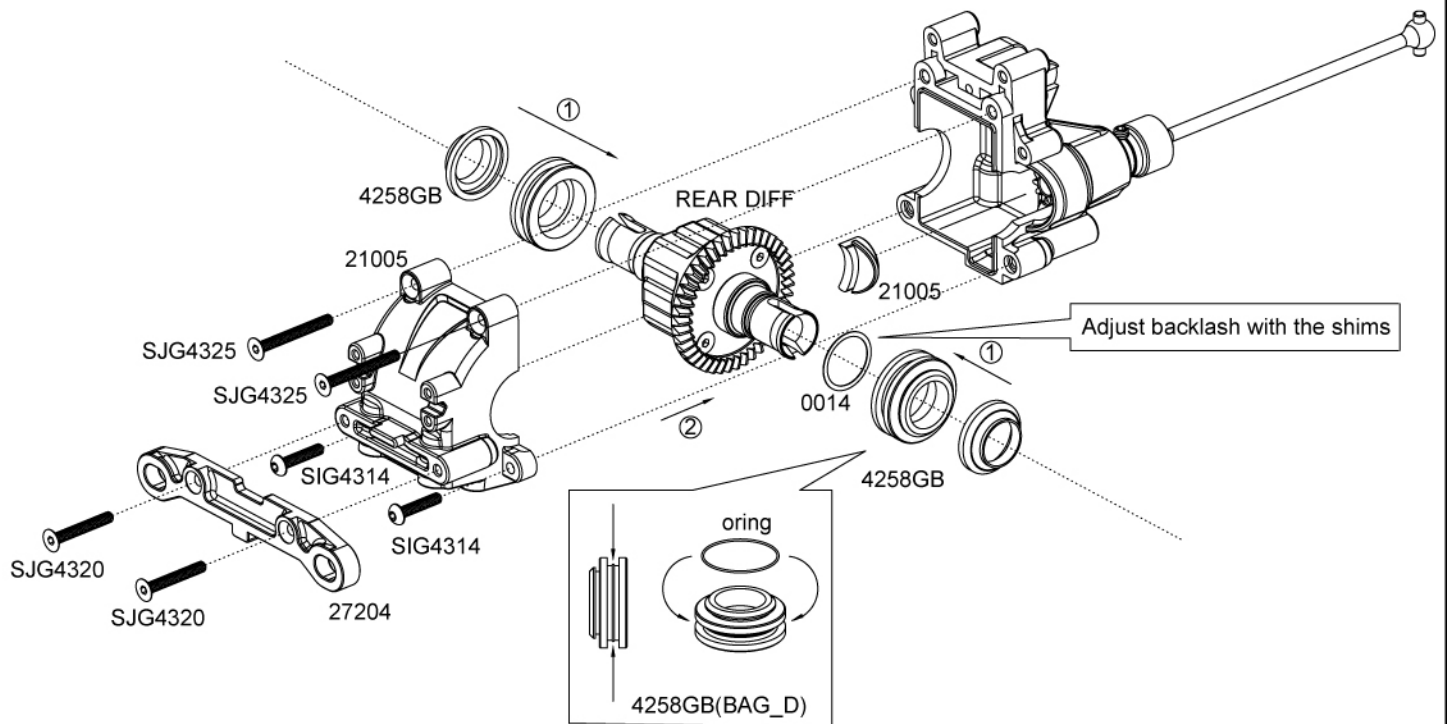
STEP F - 1

Rear Diff Case & CV Assembly



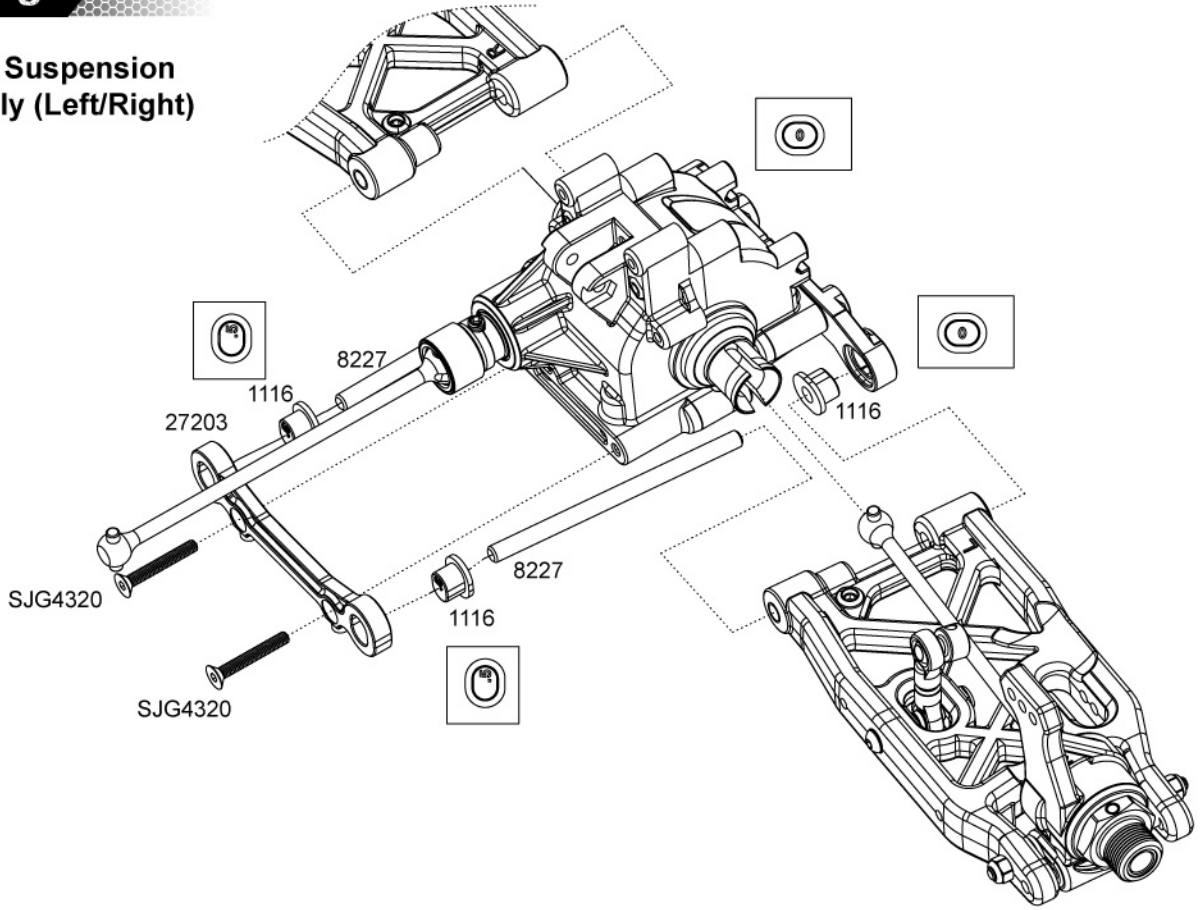
STEP F - 2

Rear Diff Install



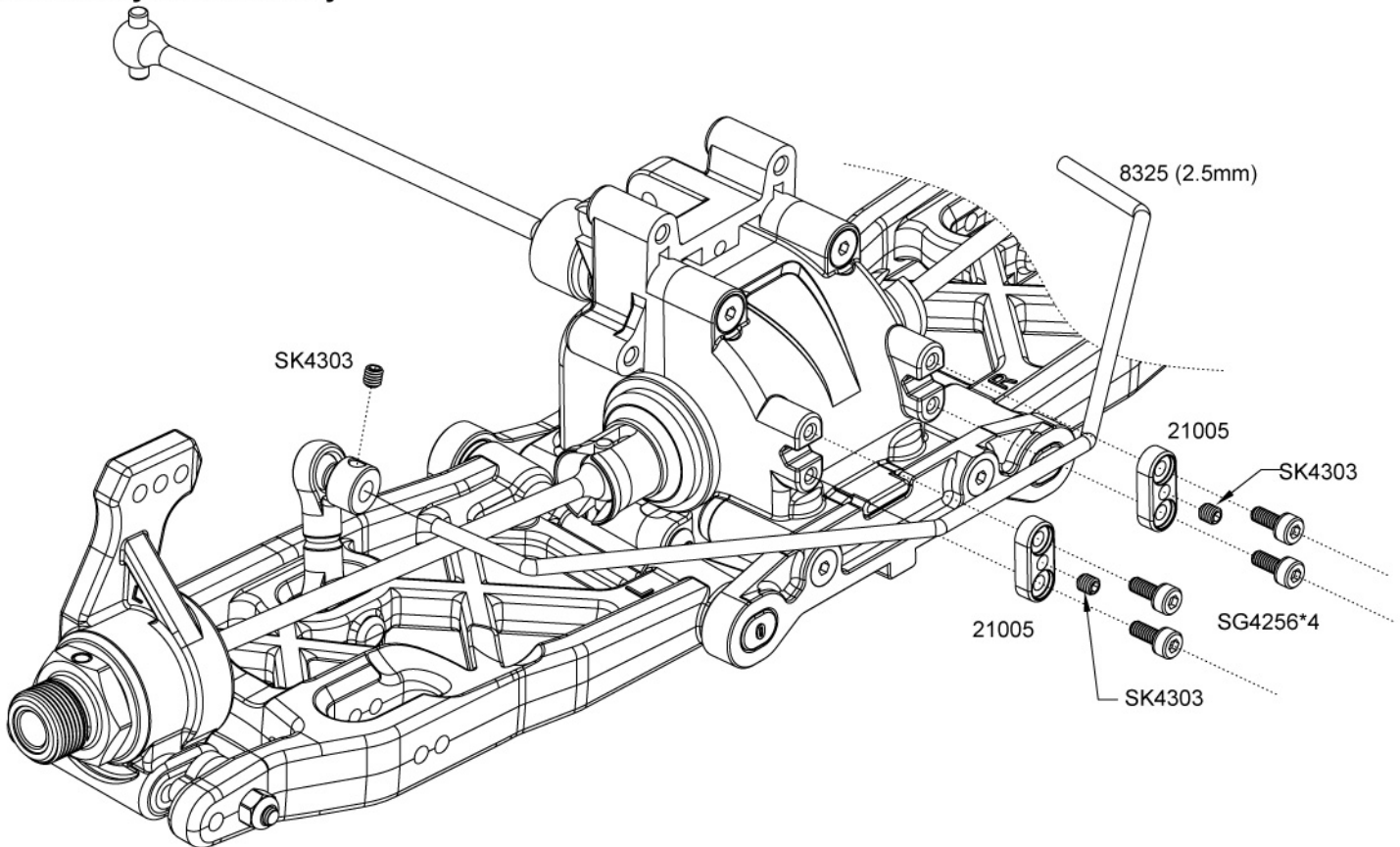
STEP F - 3

Rear Hubs & Suspension Arm Assembly (Left/Right)



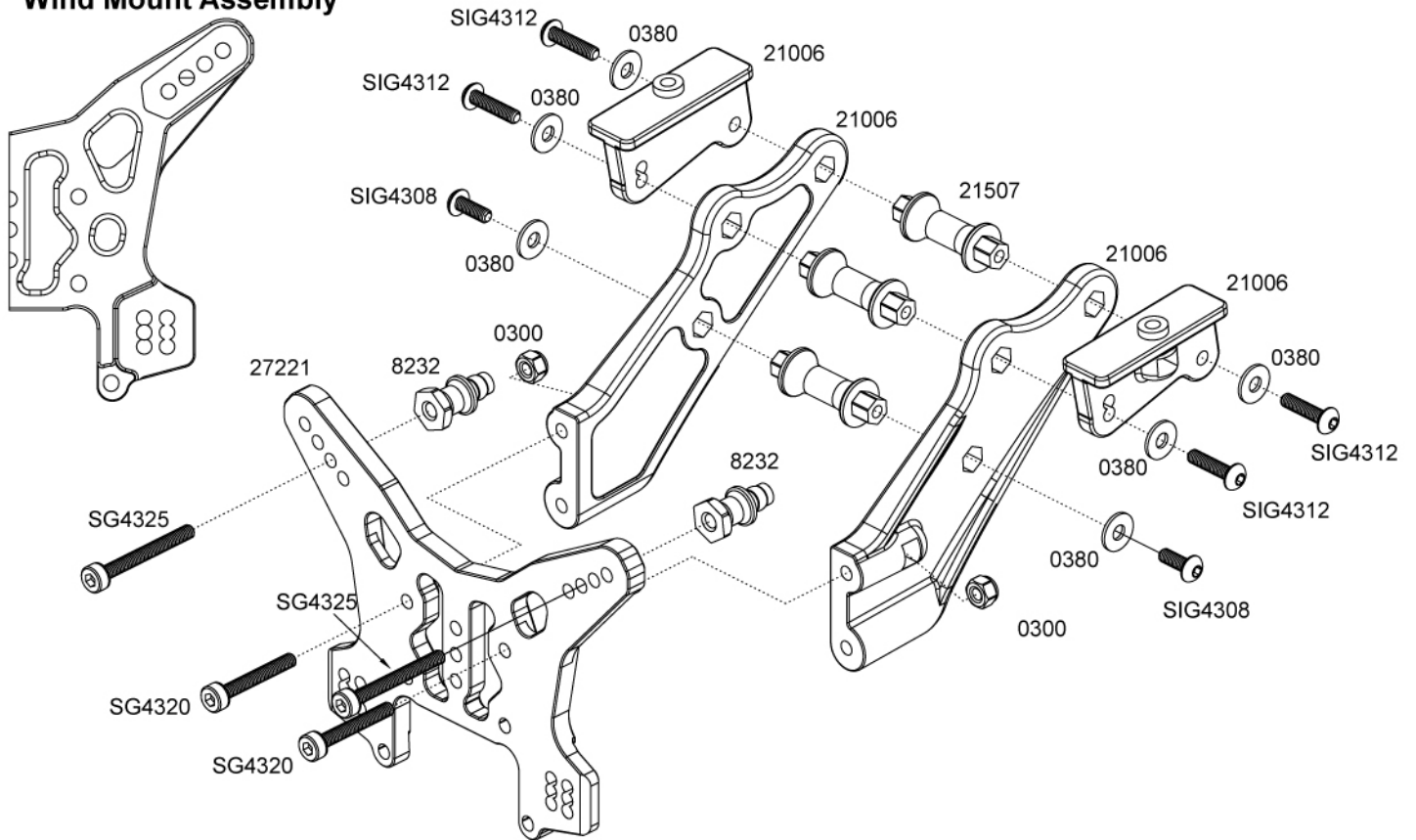
STEP F - 4

Rear Swaybar Assembly



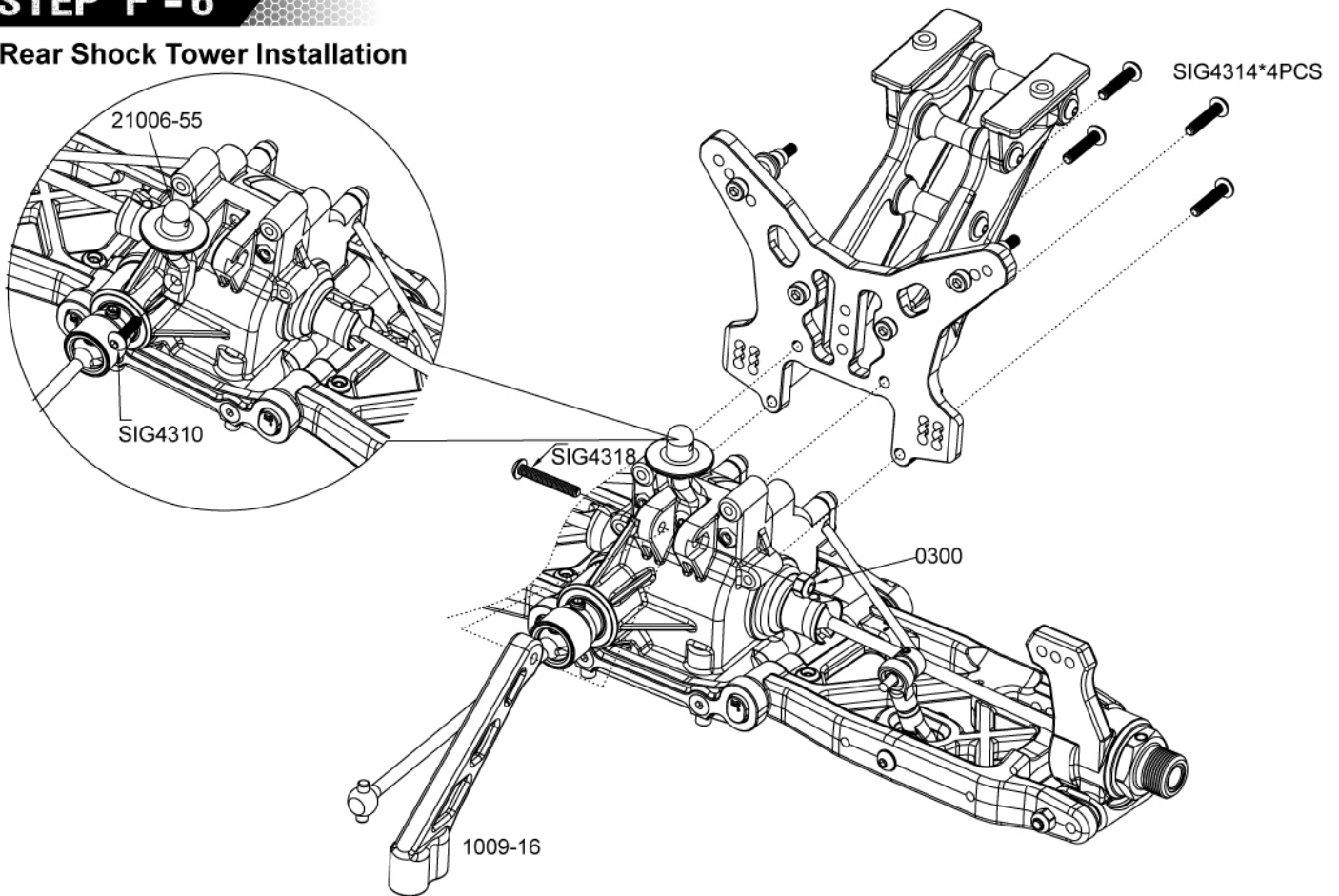
STEP F - 5

Wind Mount Assembly



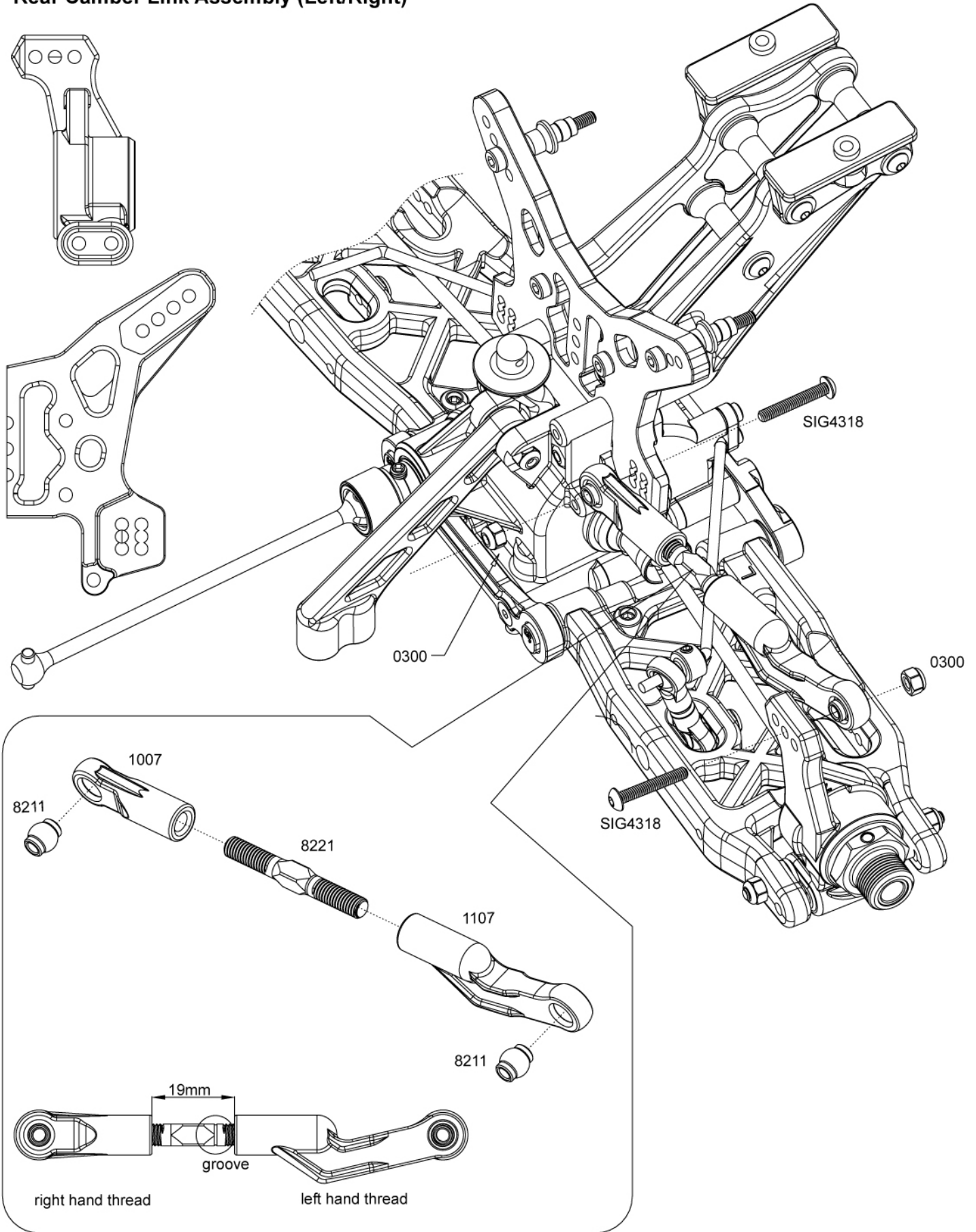
STEP F - 6

Rear Shock Tower Installation



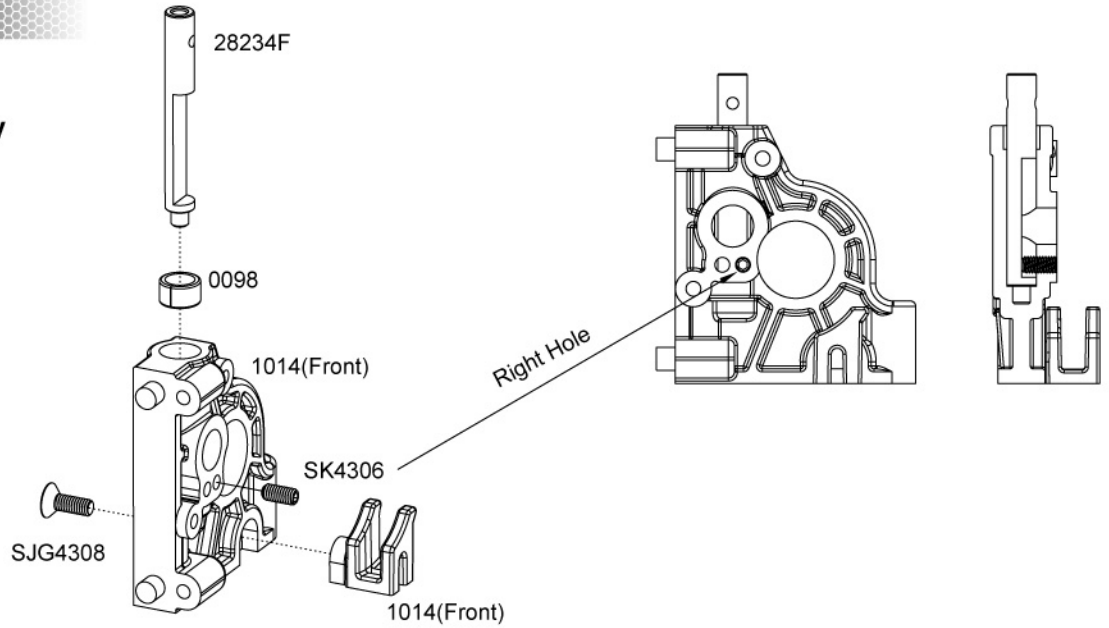
STEP F-7

Rear Camber Link Assembly (Left/Right)



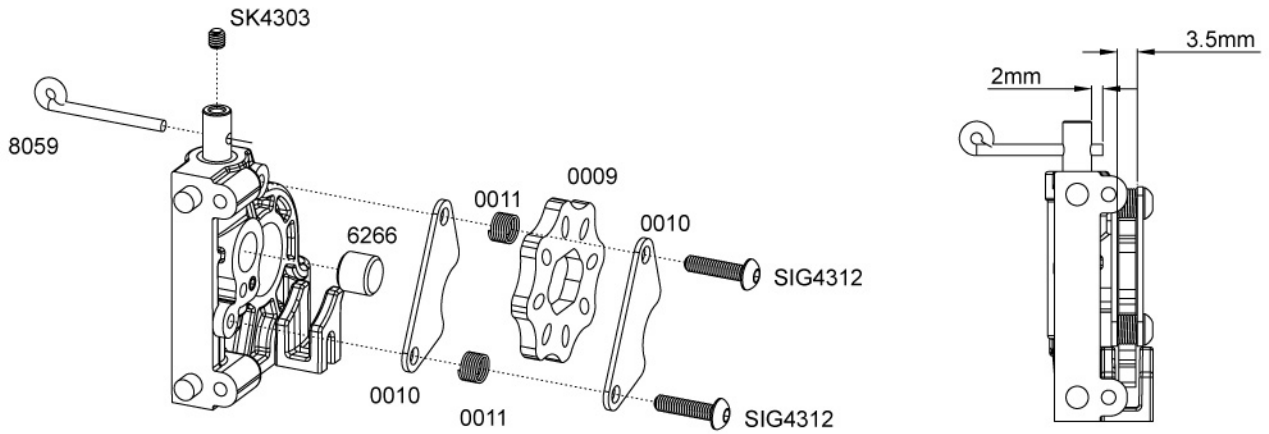
STEP G - 1

Center Diff Mount & Front Brake Assembly



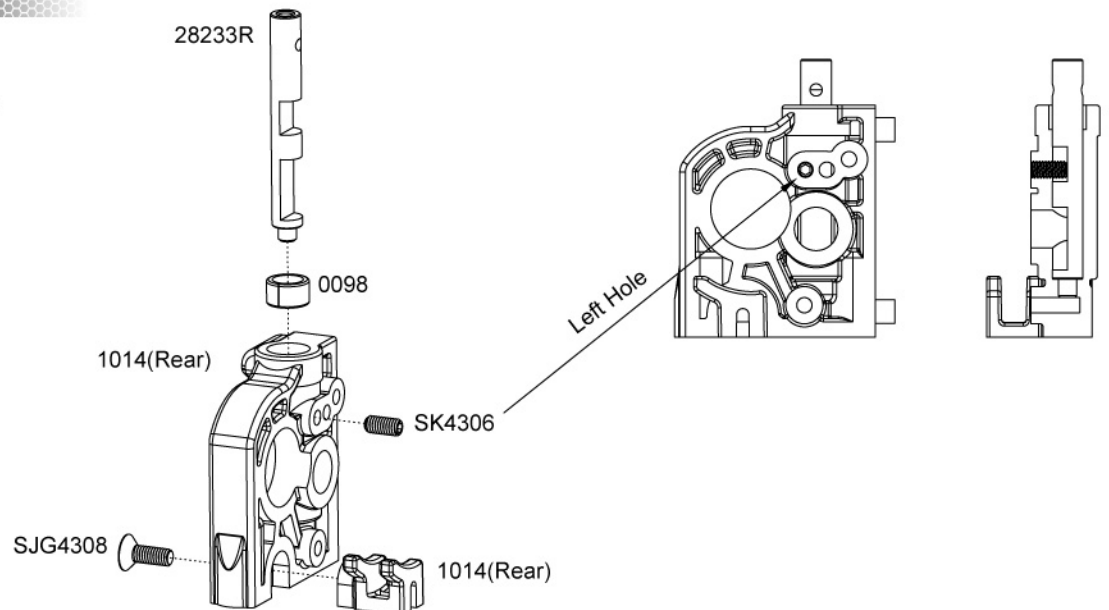
STEP G - 2

Center Diff Mount & Front Brake Assembly



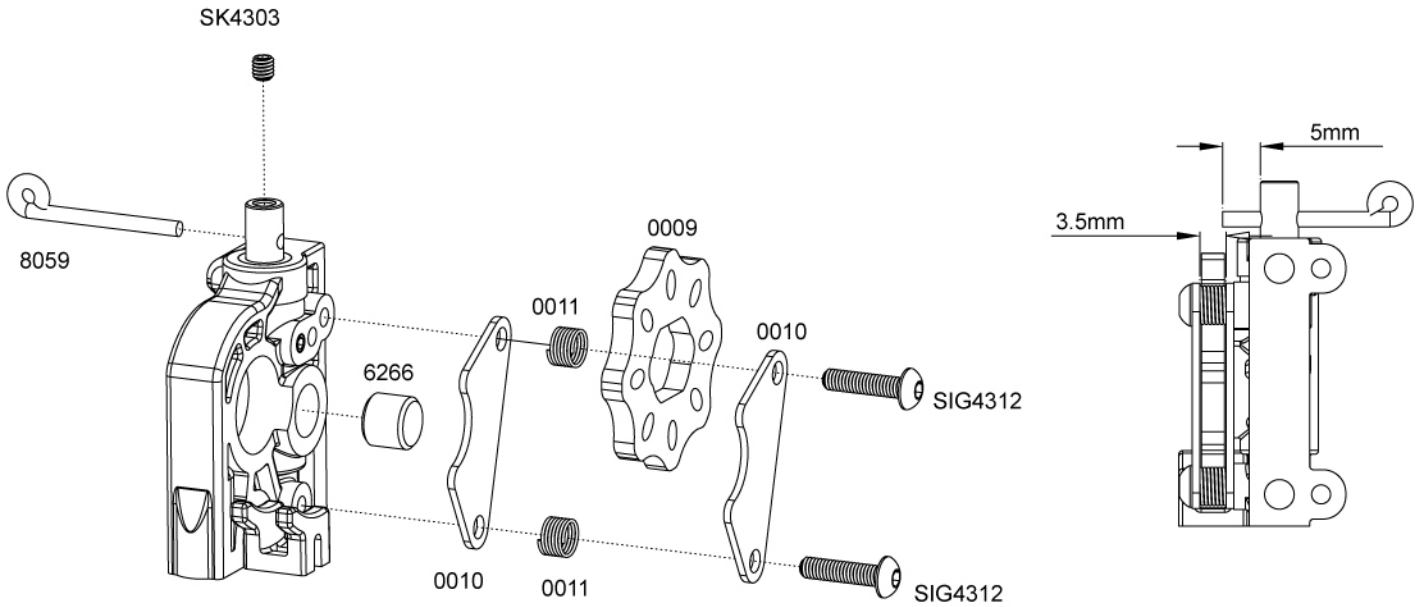
STEP G - 3

Center Diff Mount & Rear Brake Assembly



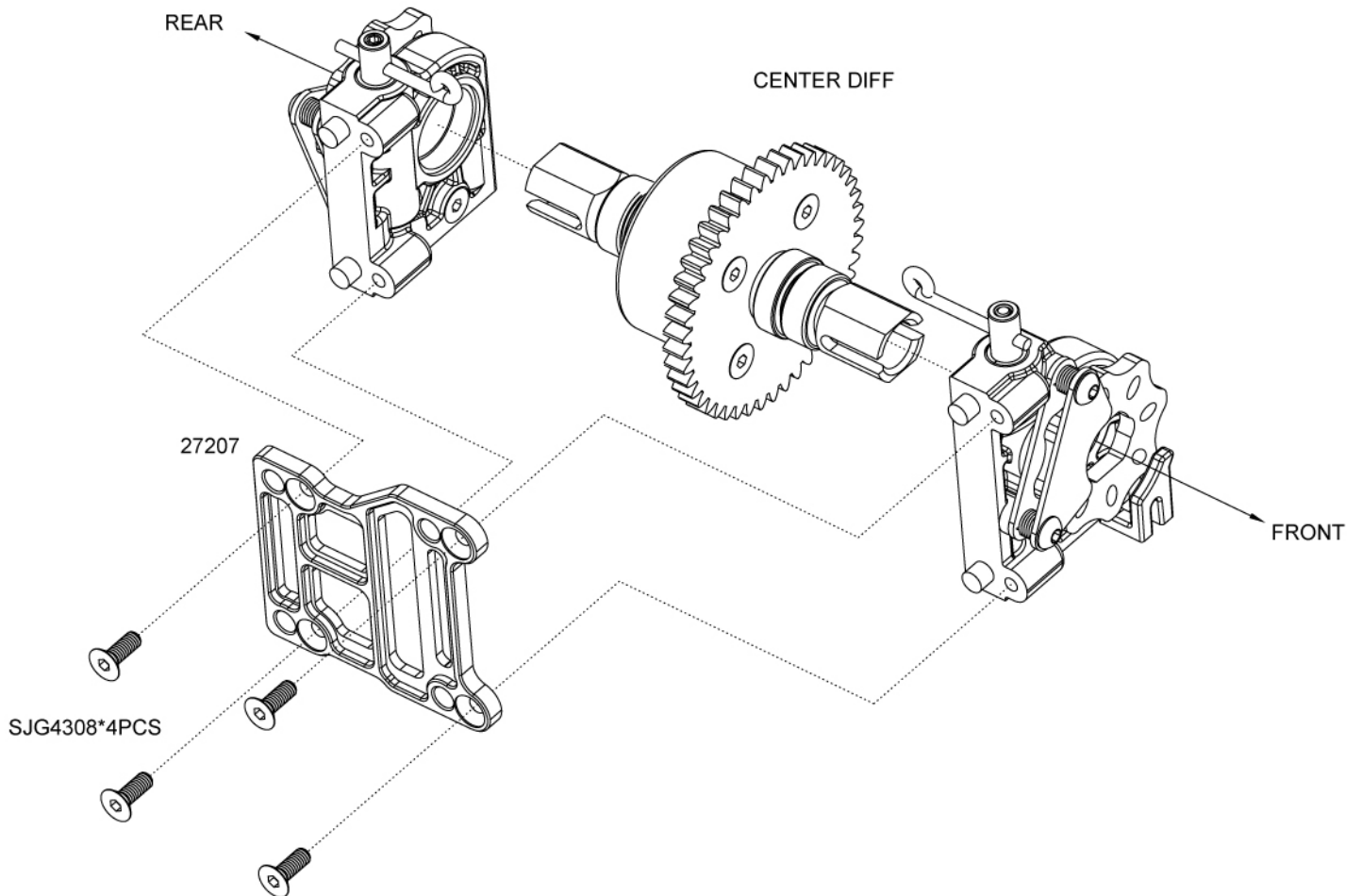
STEP G - 4

Center Diff Mount & Rear Brake Assembly



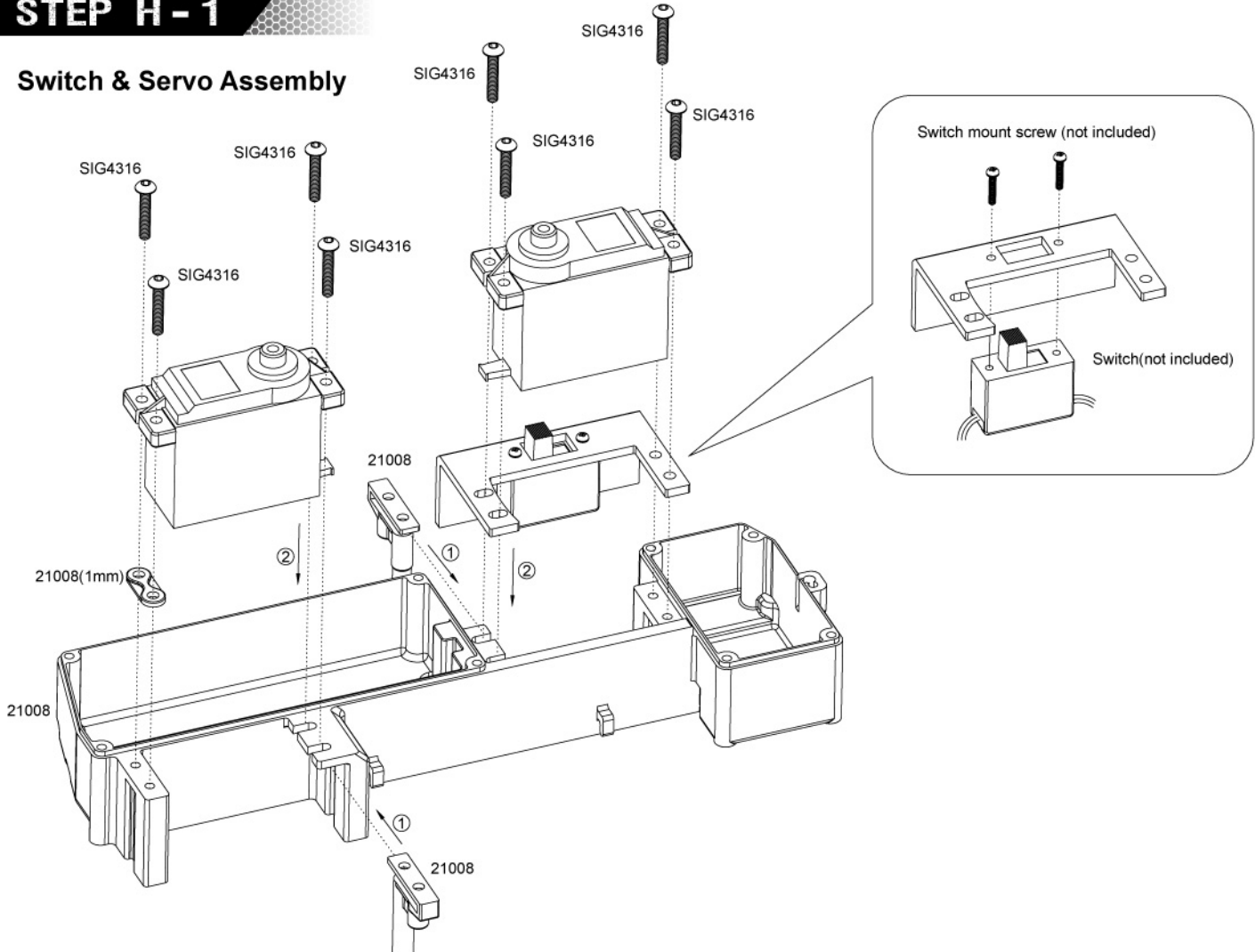
STEP G - 5

Center Diff Mount & Rear Brake Assembly



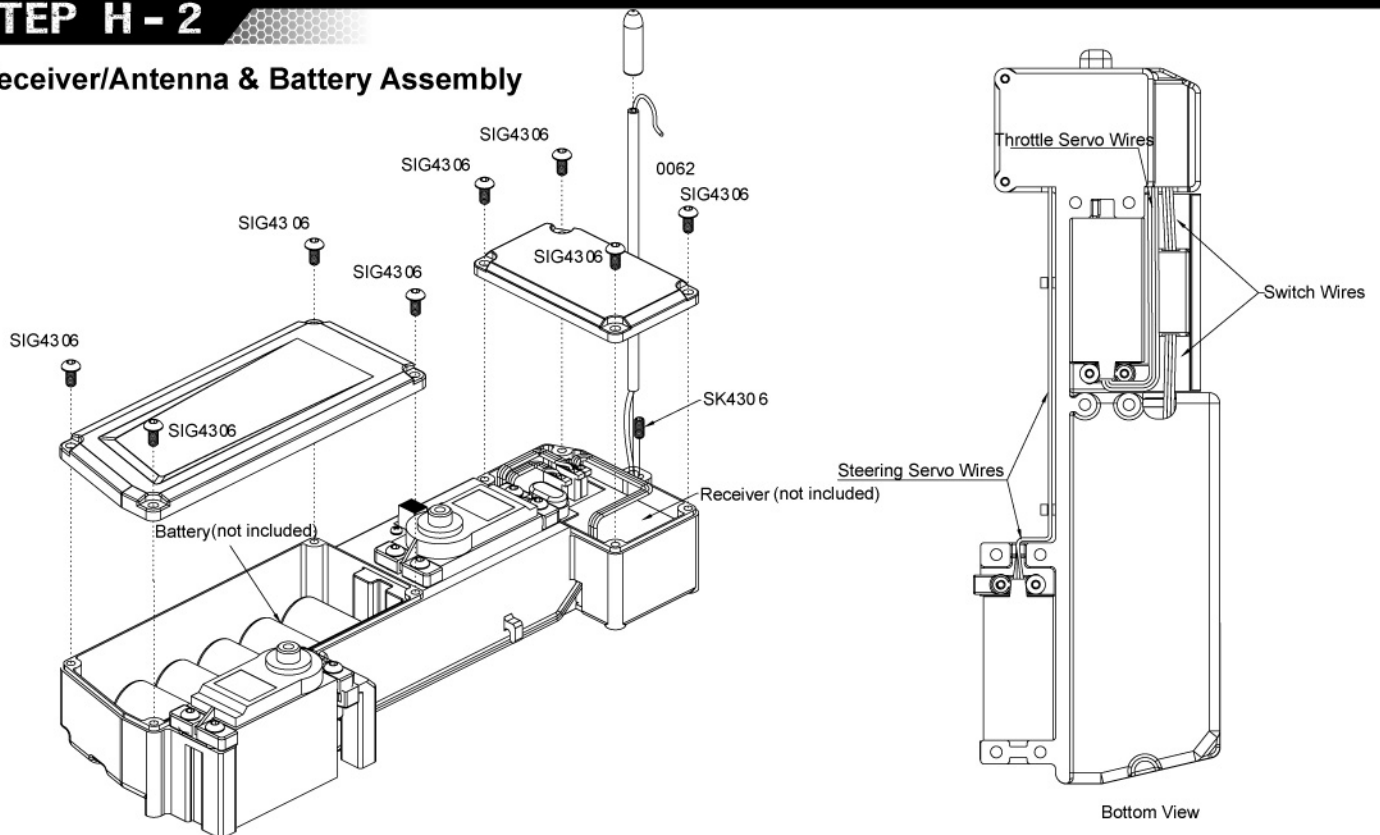
STEP H - 1

Switch & Servo Assembly



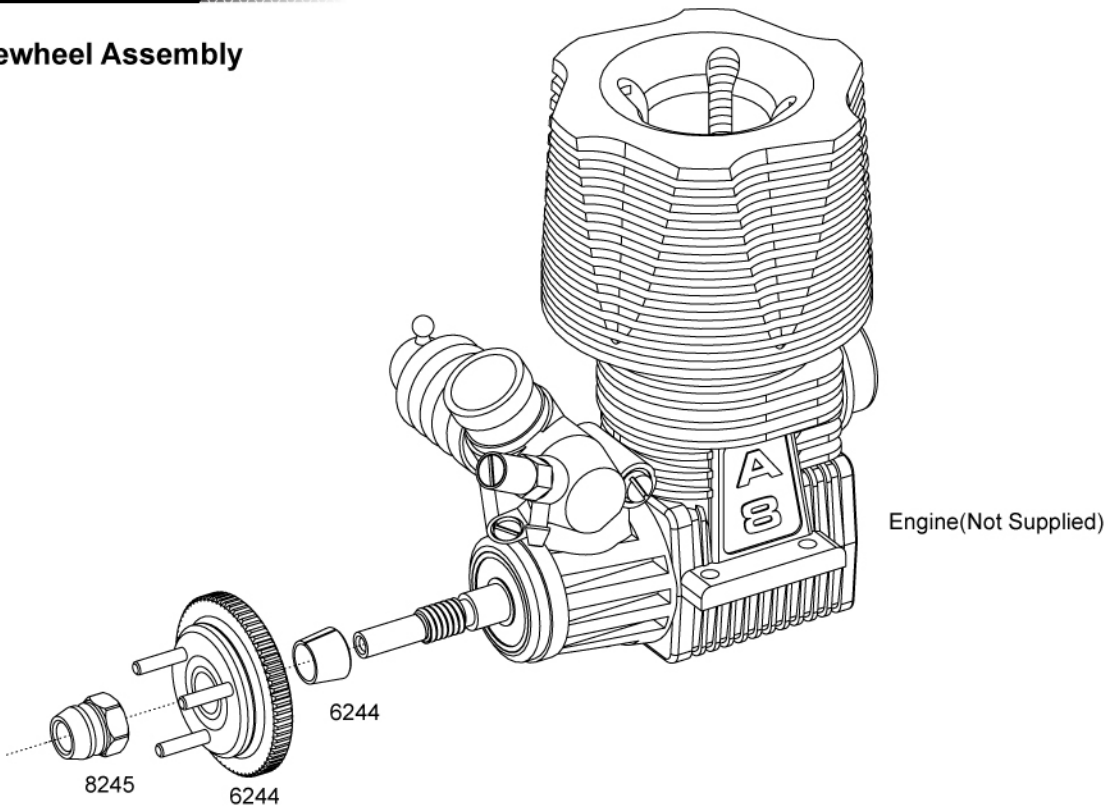
STEP H - 2

Receiver/Antenna & Battery Assembly



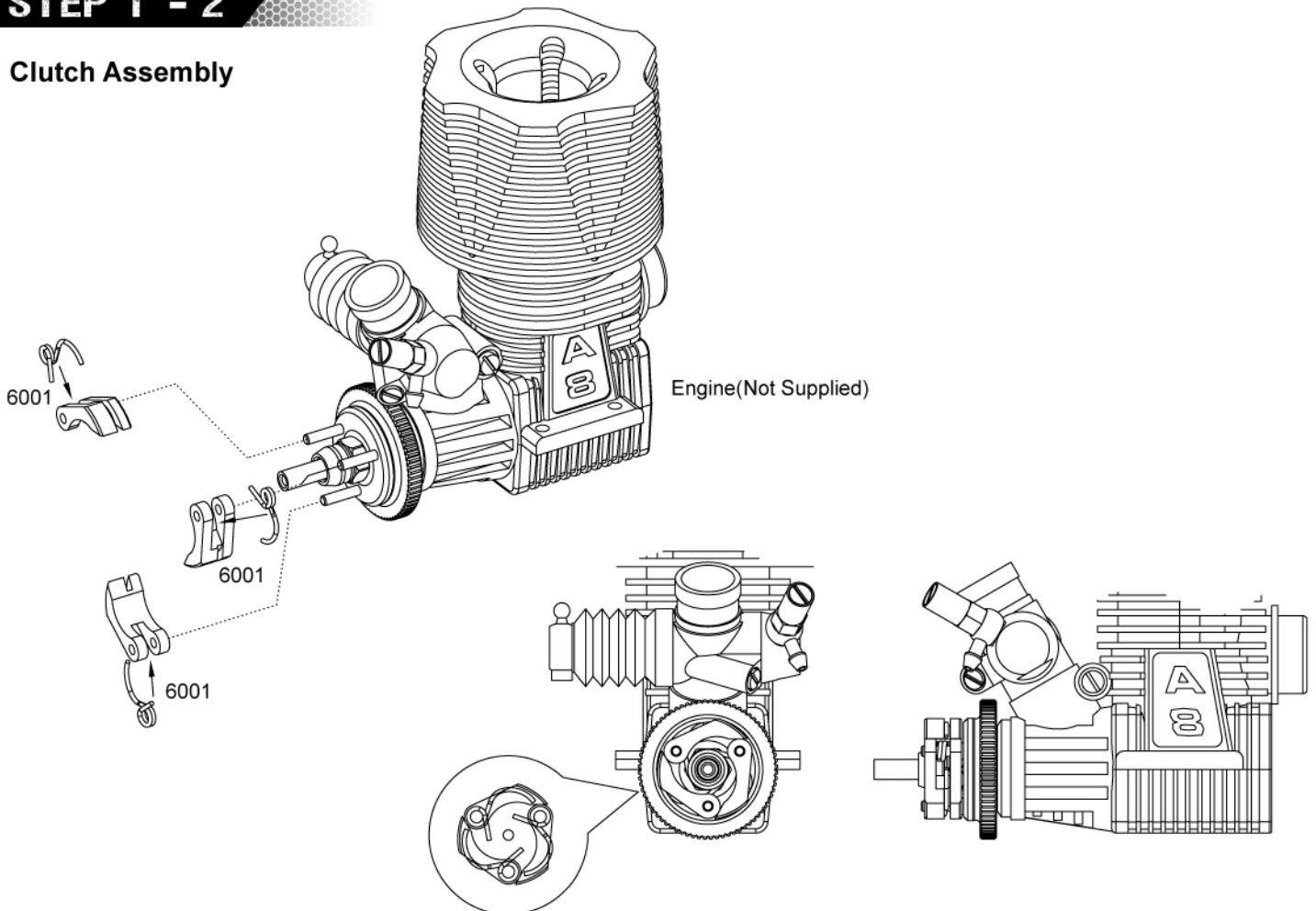
STEP 1 - 1

Freewheel Assembly



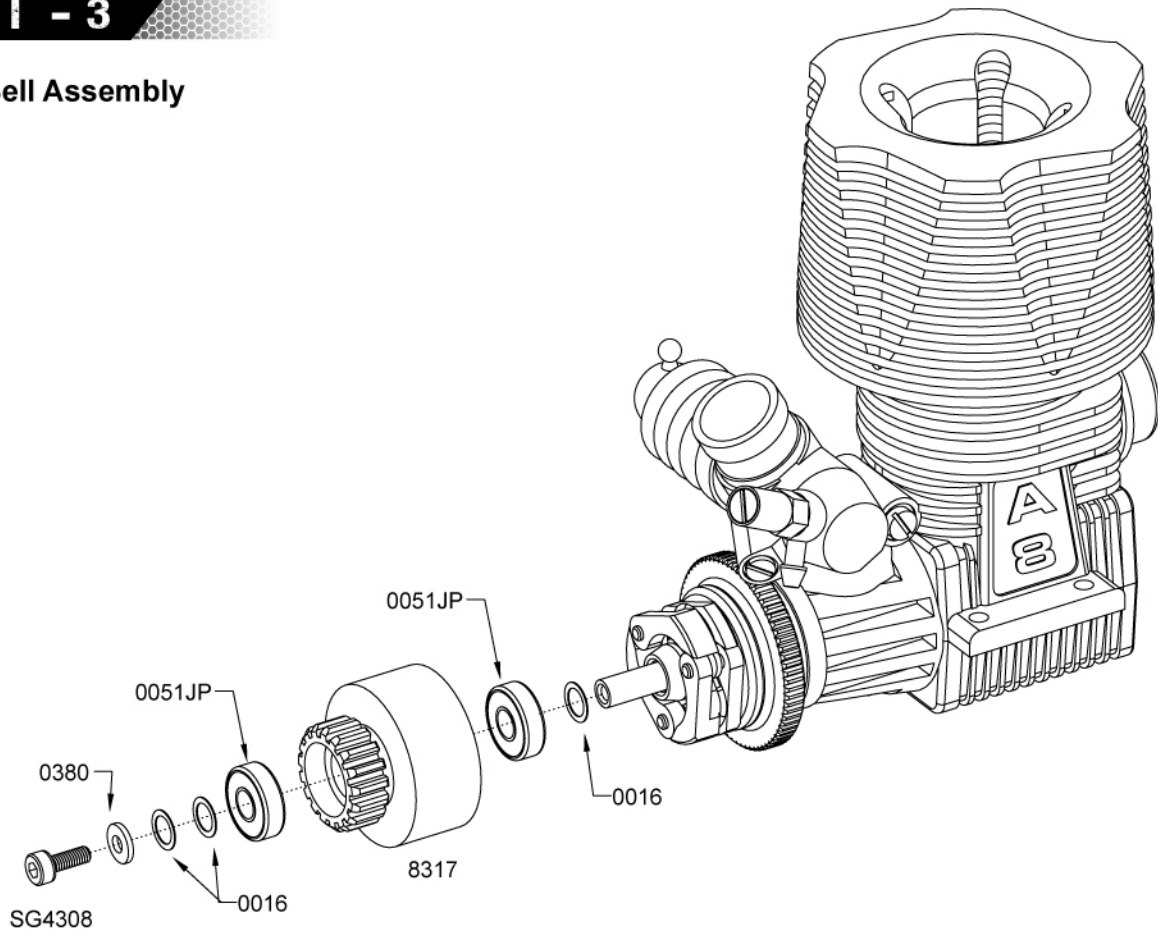
STEP 1 - 2

Clutch Assembly



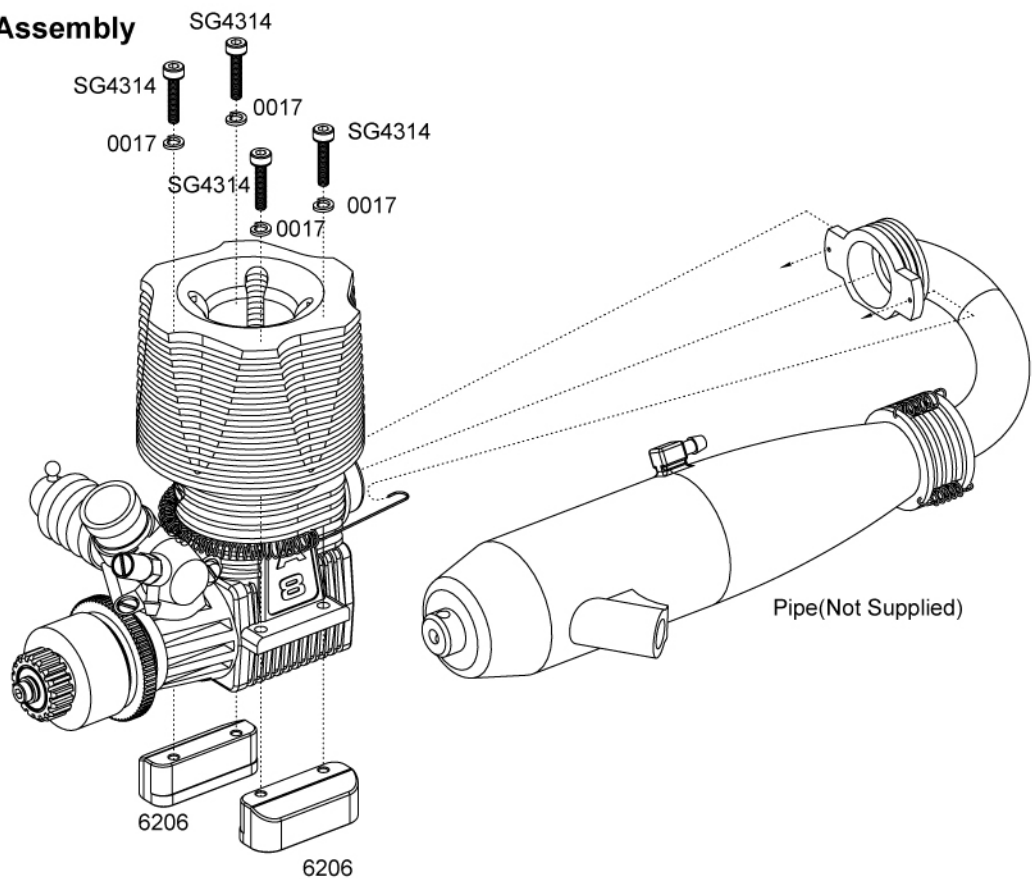
STEP I - 3

Clutch Bell Assembly



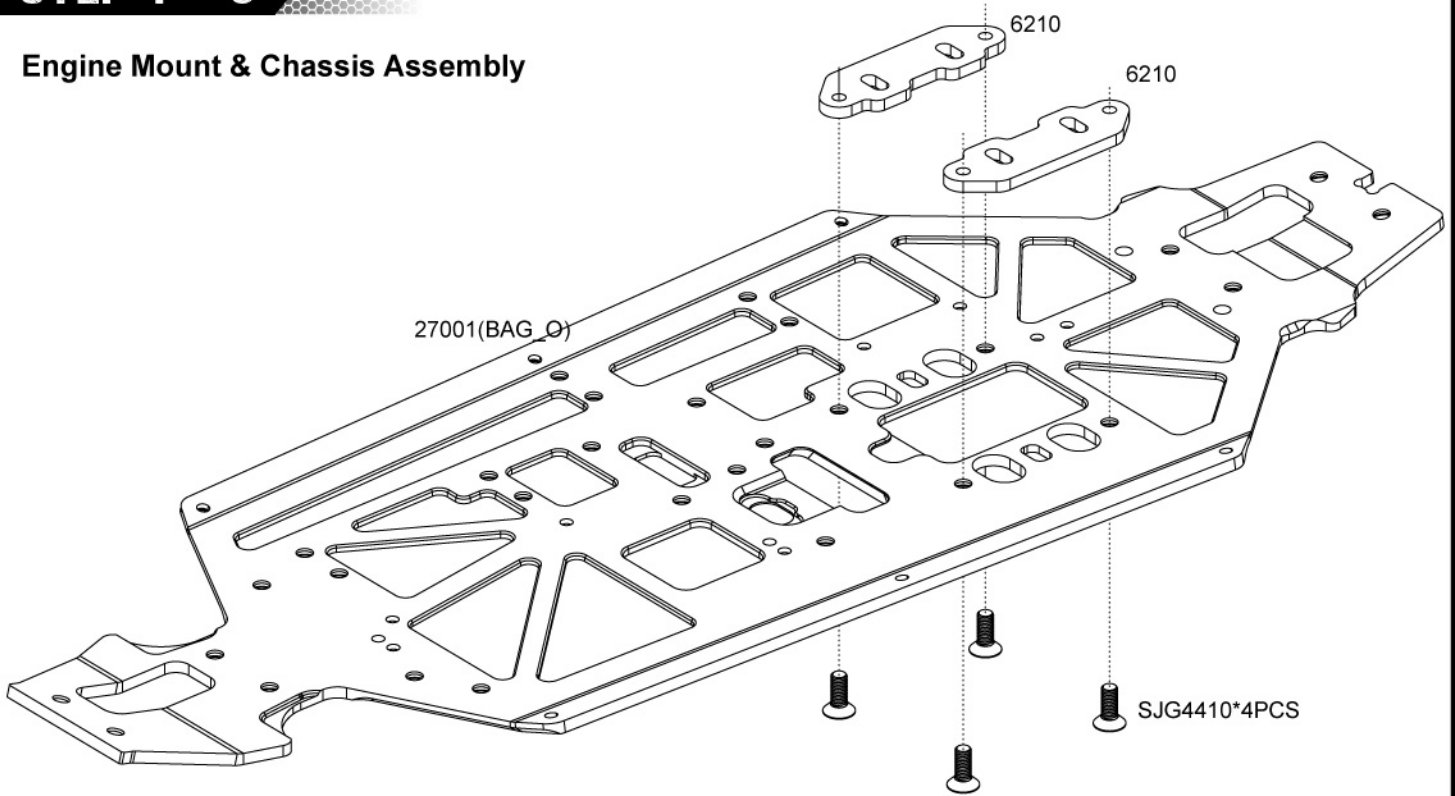
STEP I - 4

Engine Mount & Pipe Assembly



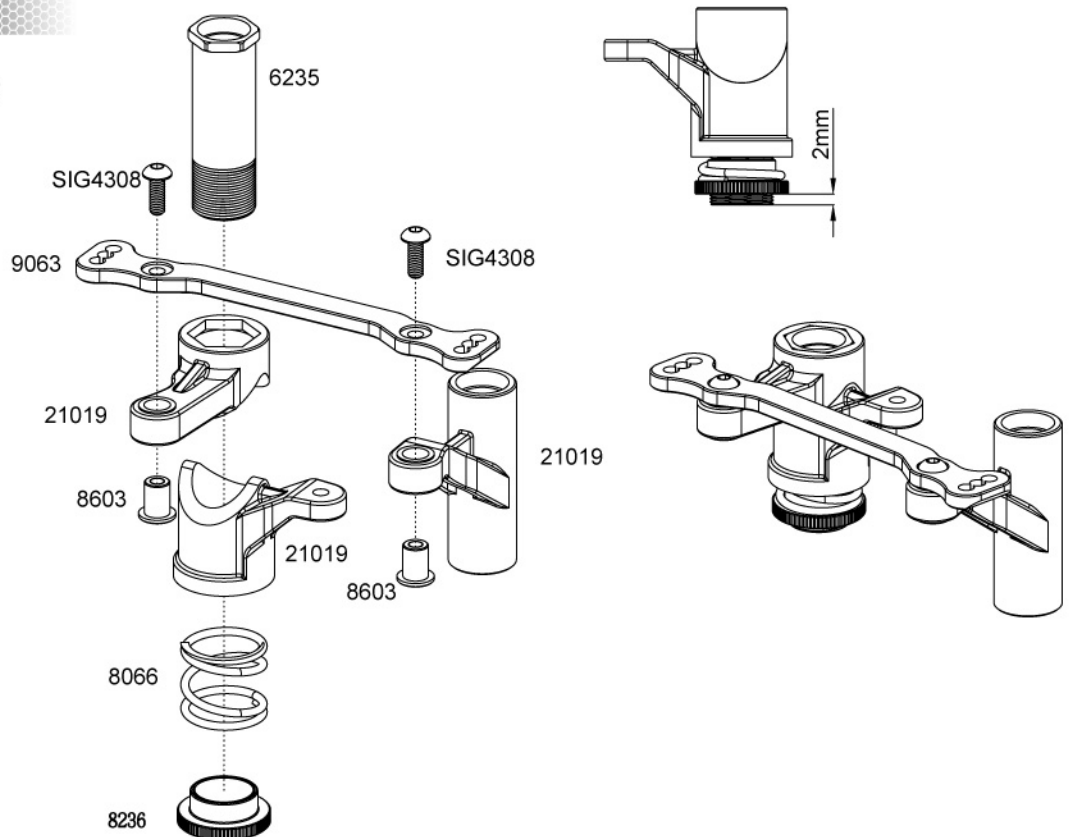
STEP I - 5

Engine Mount & Chassis Assembly



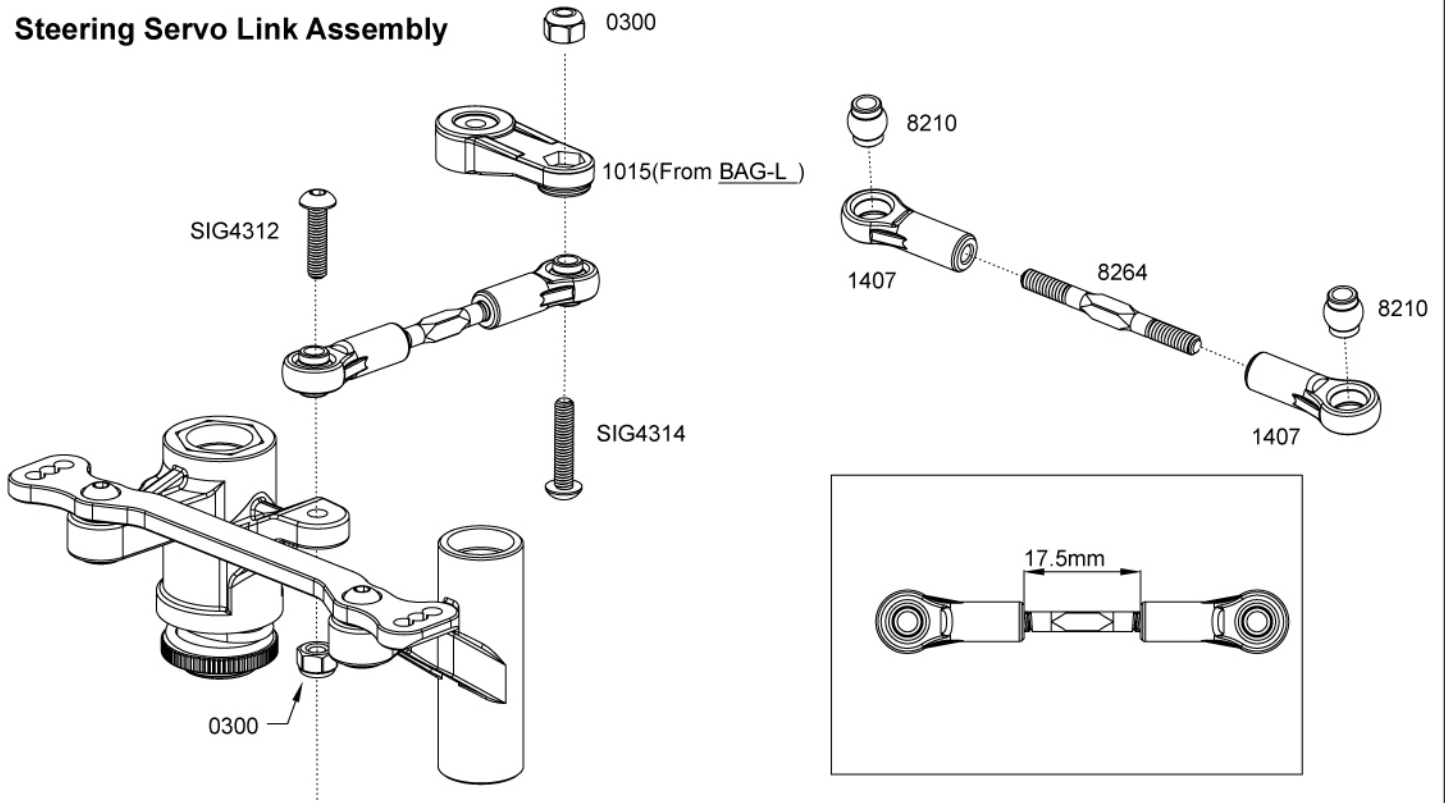
STEP J- 1

Servo Saver Assembly



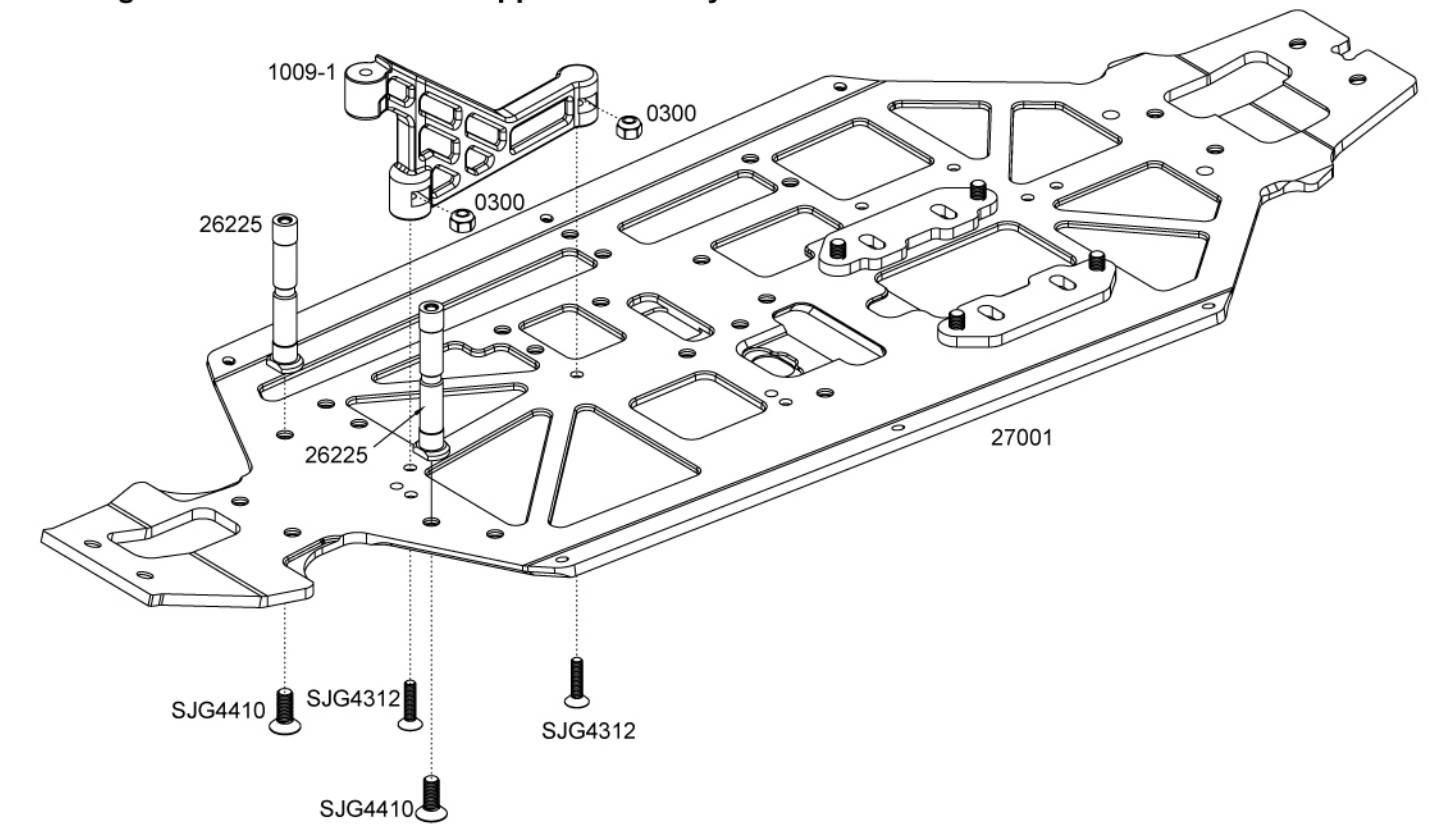
STEP J-2

Steering Servo Link Assembly



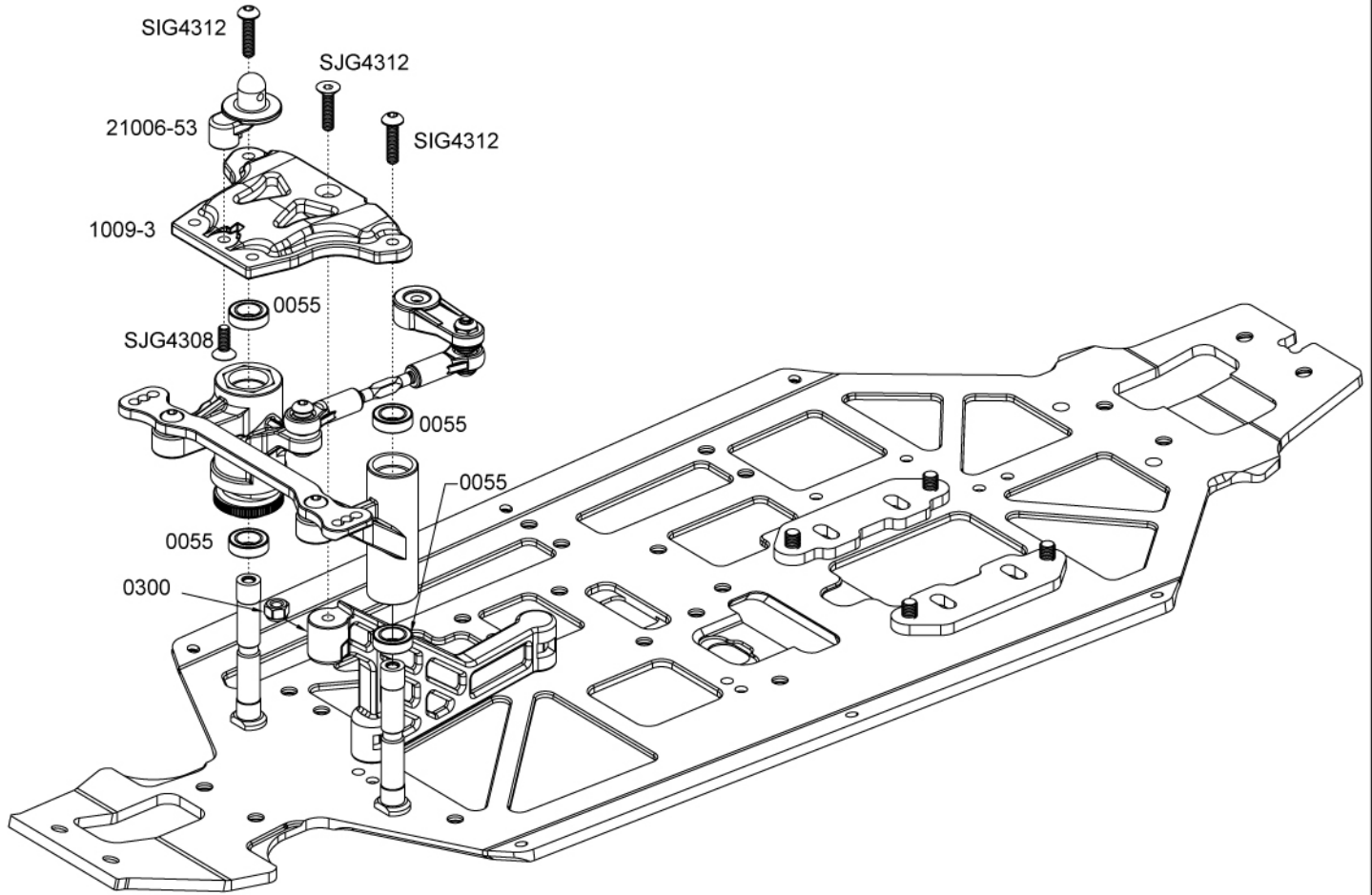
STEP J-3

Steering Post & Front Chassis Support Assembly



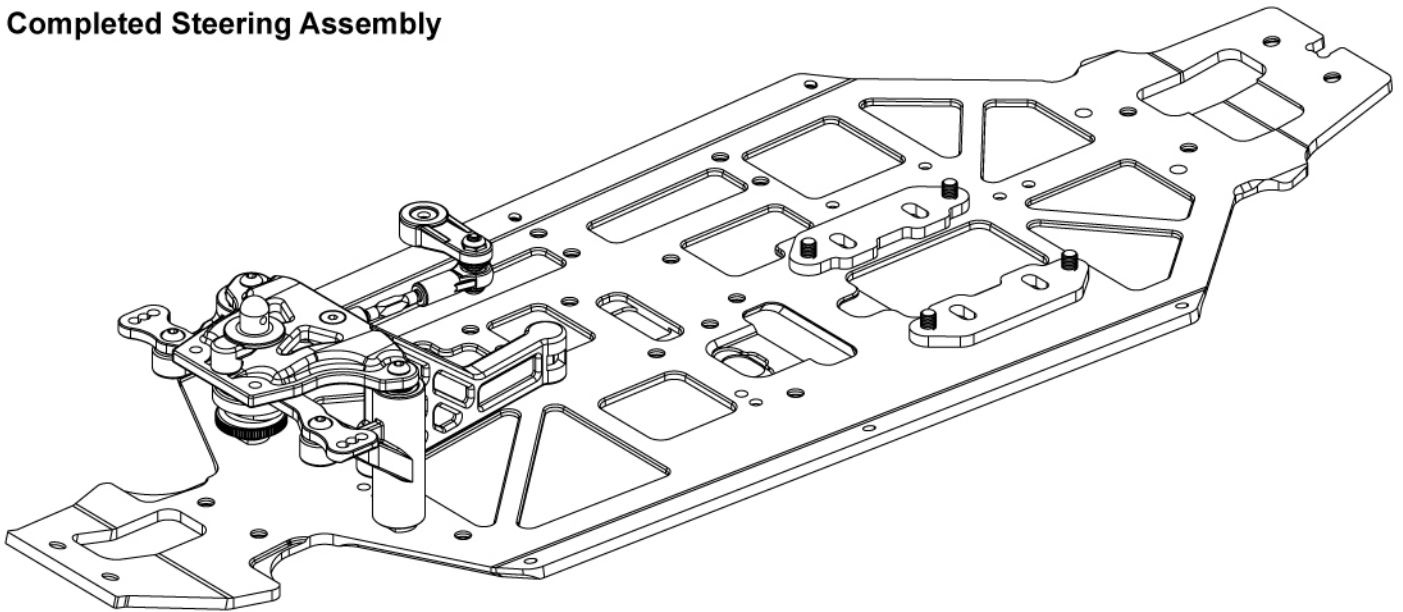
STEP J - 4

Steering Saver & Front Chassis Brace Assembly



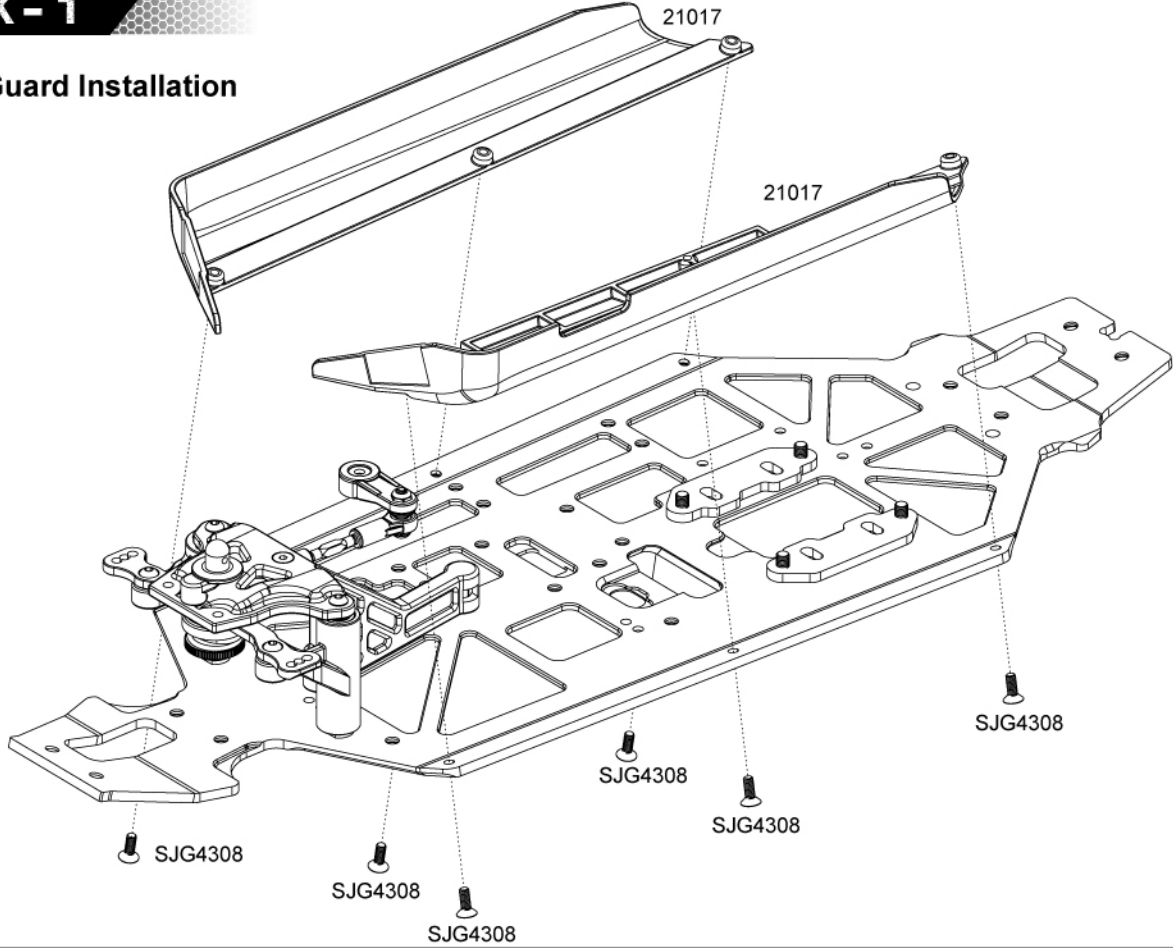
STEP J - 5

Completed Steering Assembly



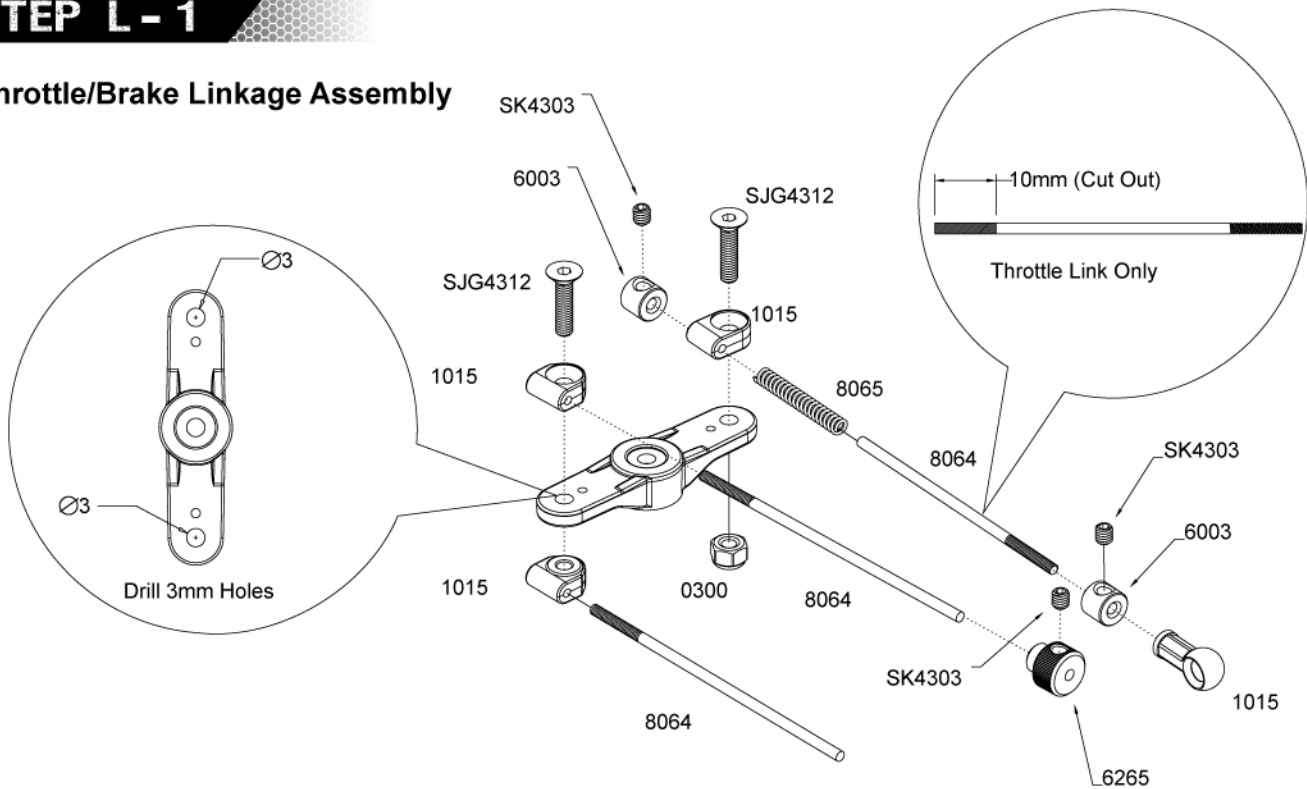
STEP K-1

Chassis Guard Installation



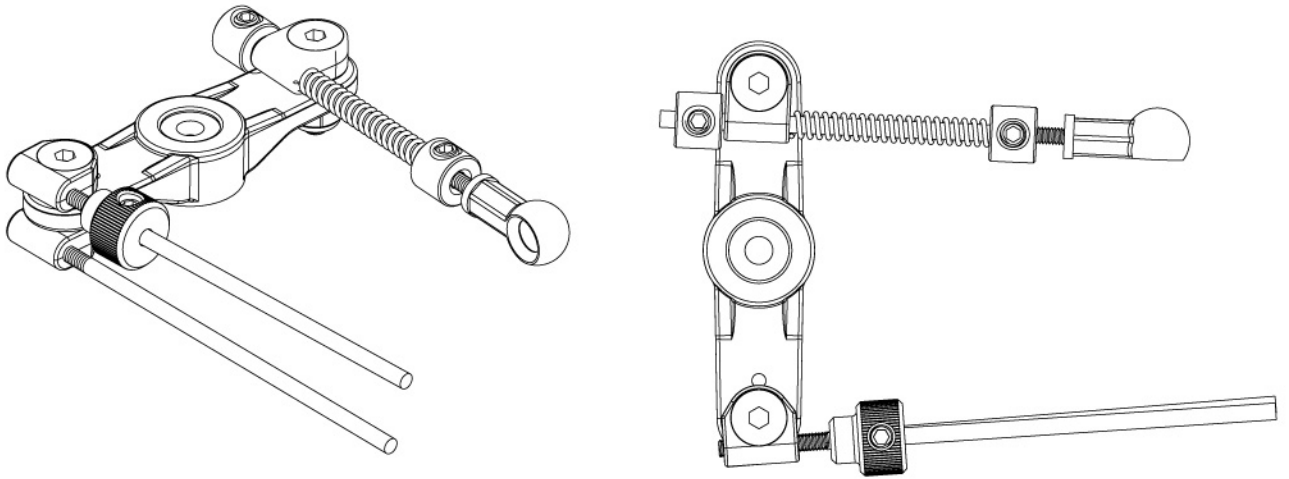
STEP L-1

Throttle/Brake Linkage Assembly



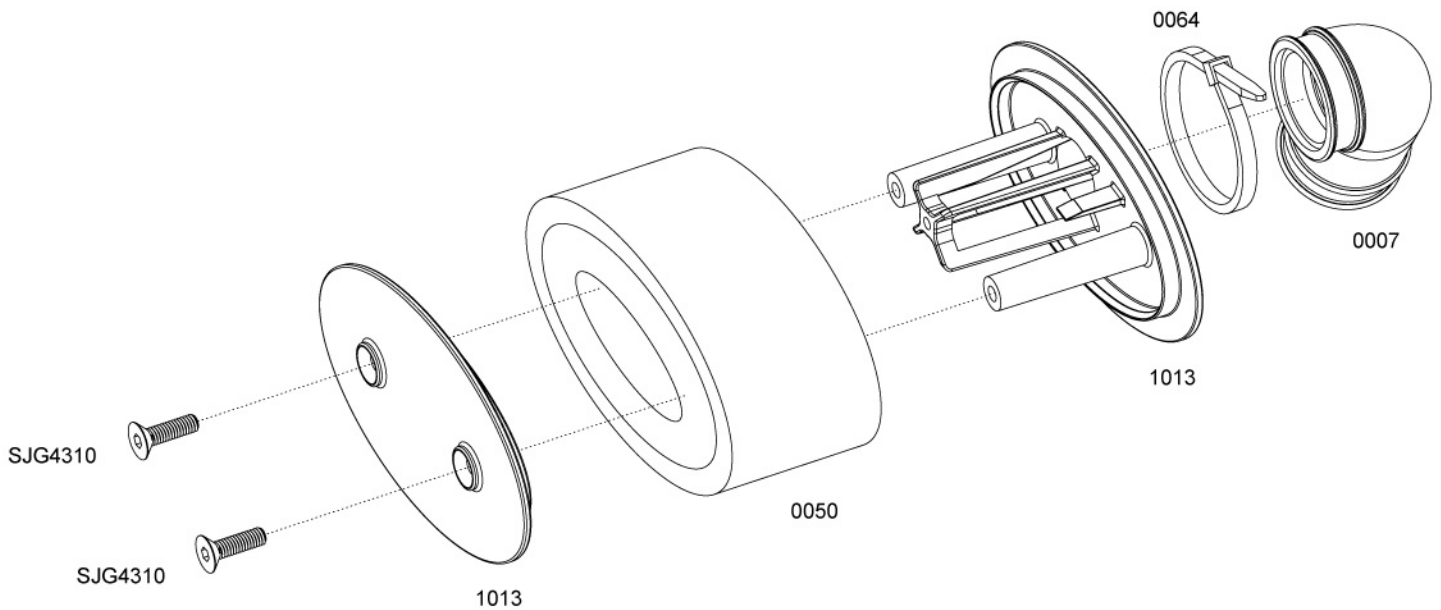
STEP L-2

Completed Throttle/Brake Linkage Assembly



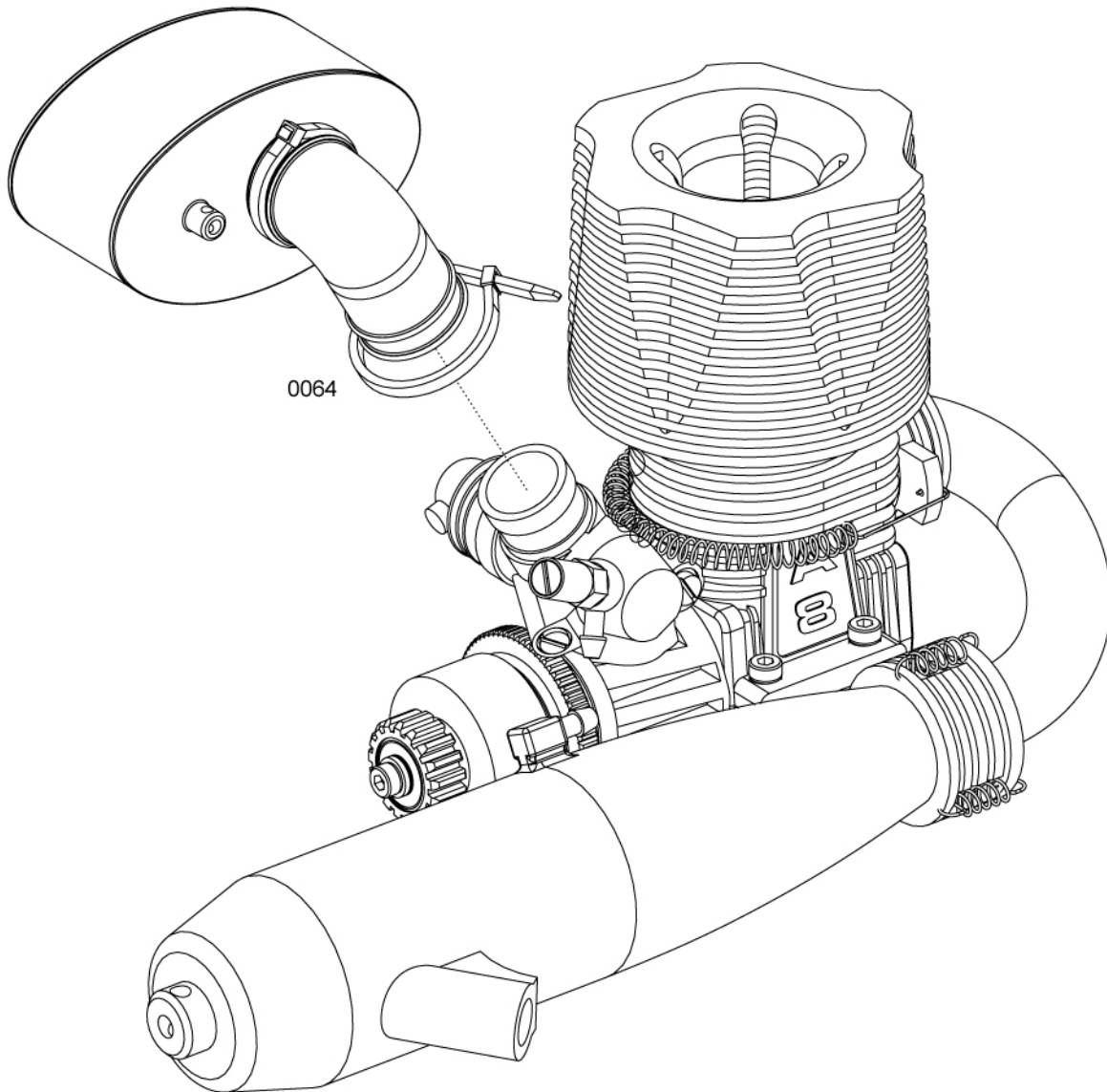
STEP M-1

Air Filter Assembly



STEP M-2

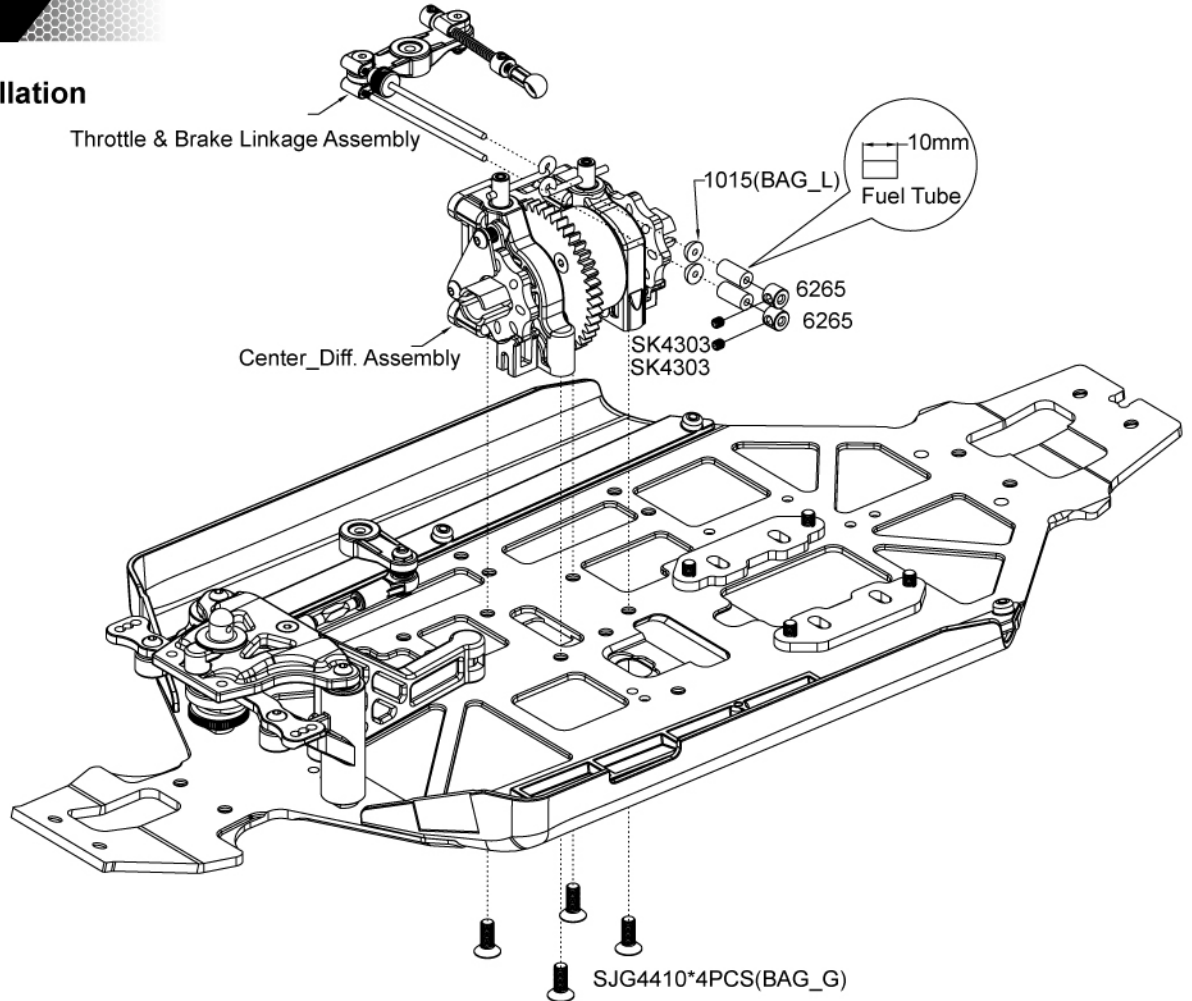
Air Filter Assembly



CHASSIS INSTALL A215

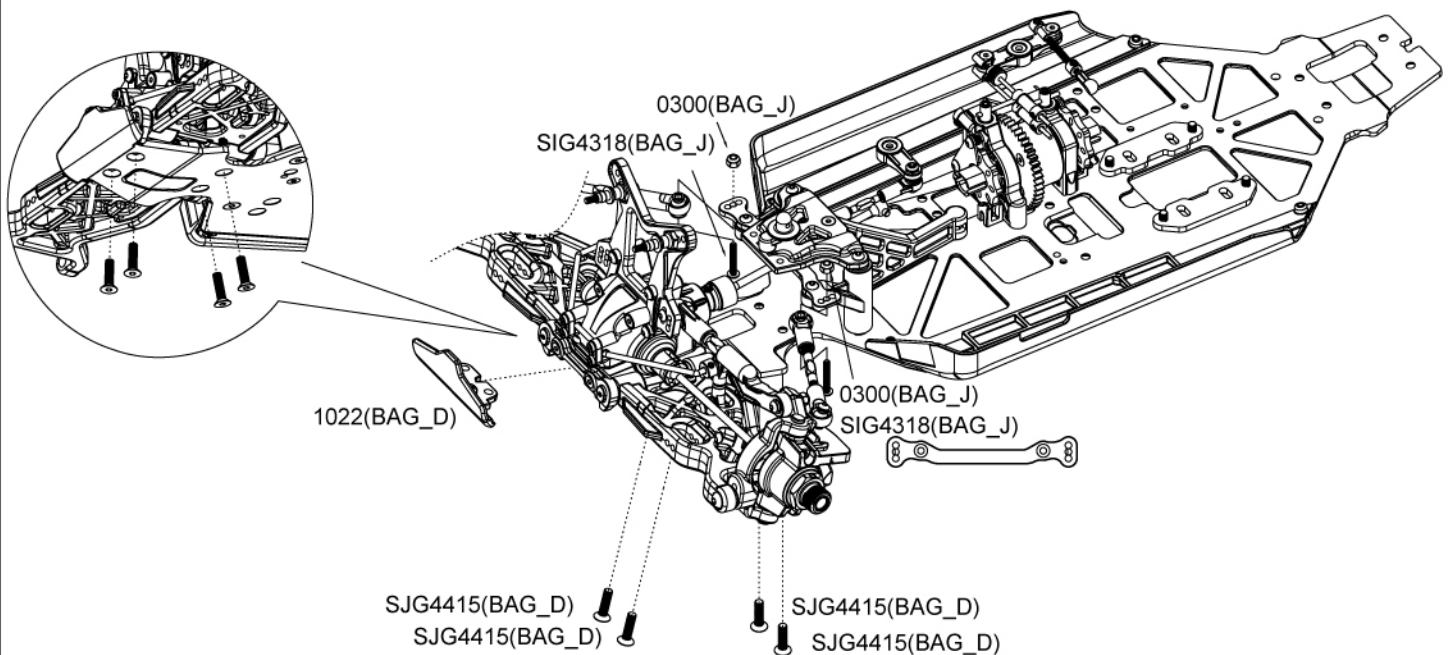
STEP - 1

Center Diff Installation



STEP - 2

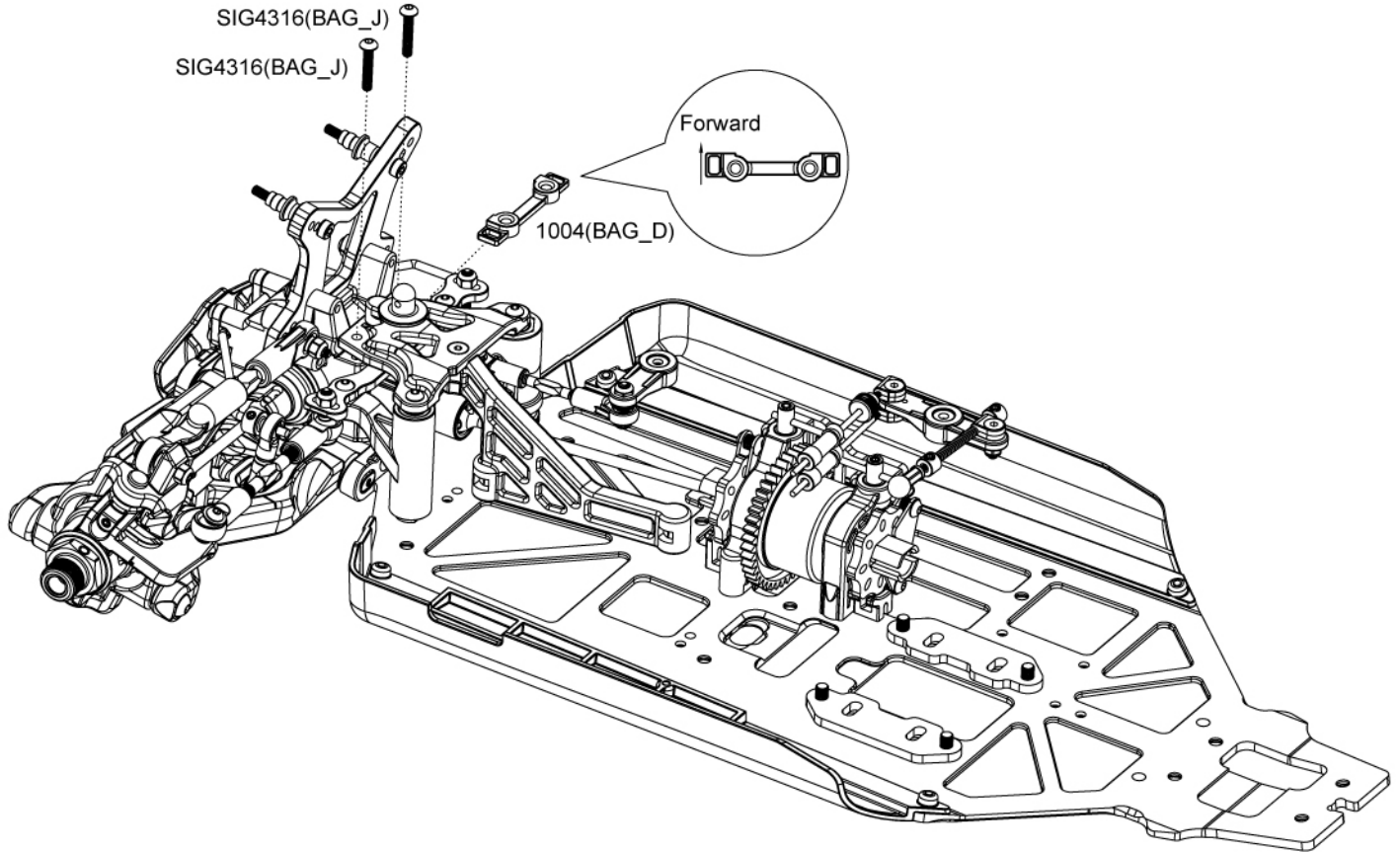
Front End Installation



CHASSIS INSTALL A215

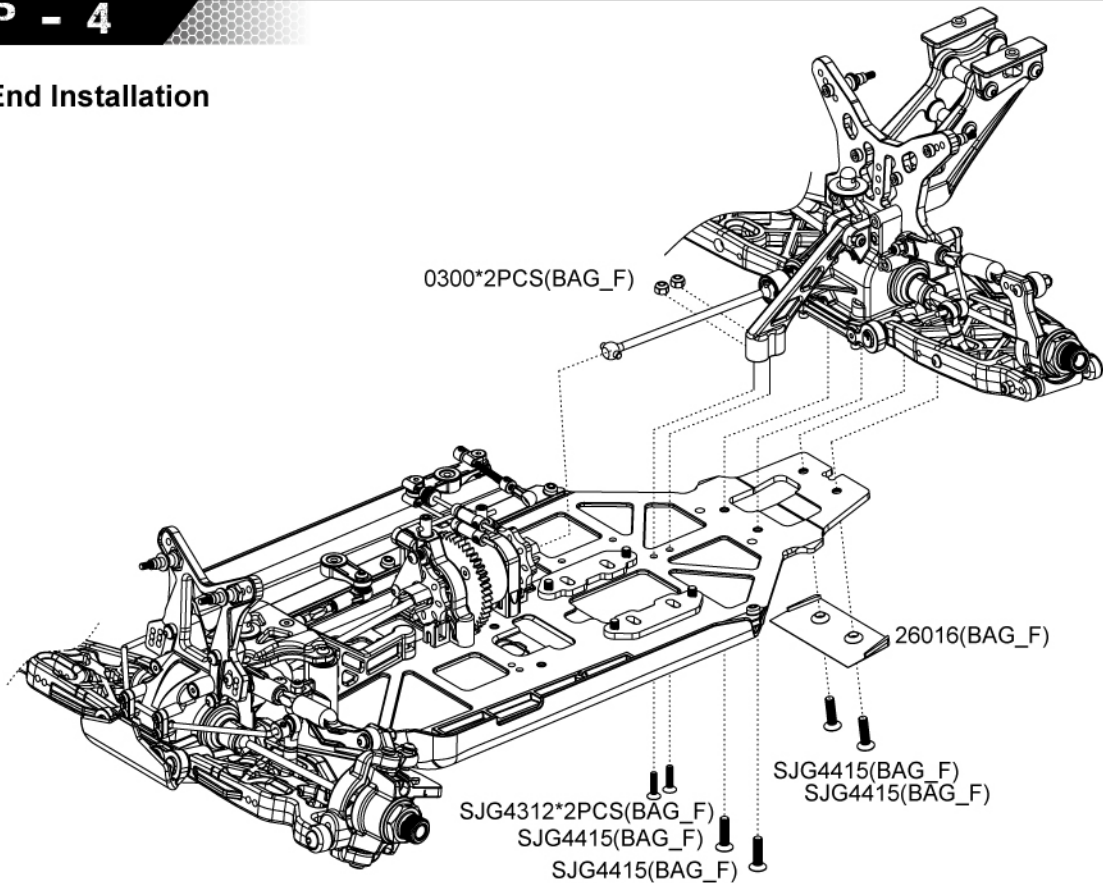
STEP - 3

Front End Installation



STEP - 4

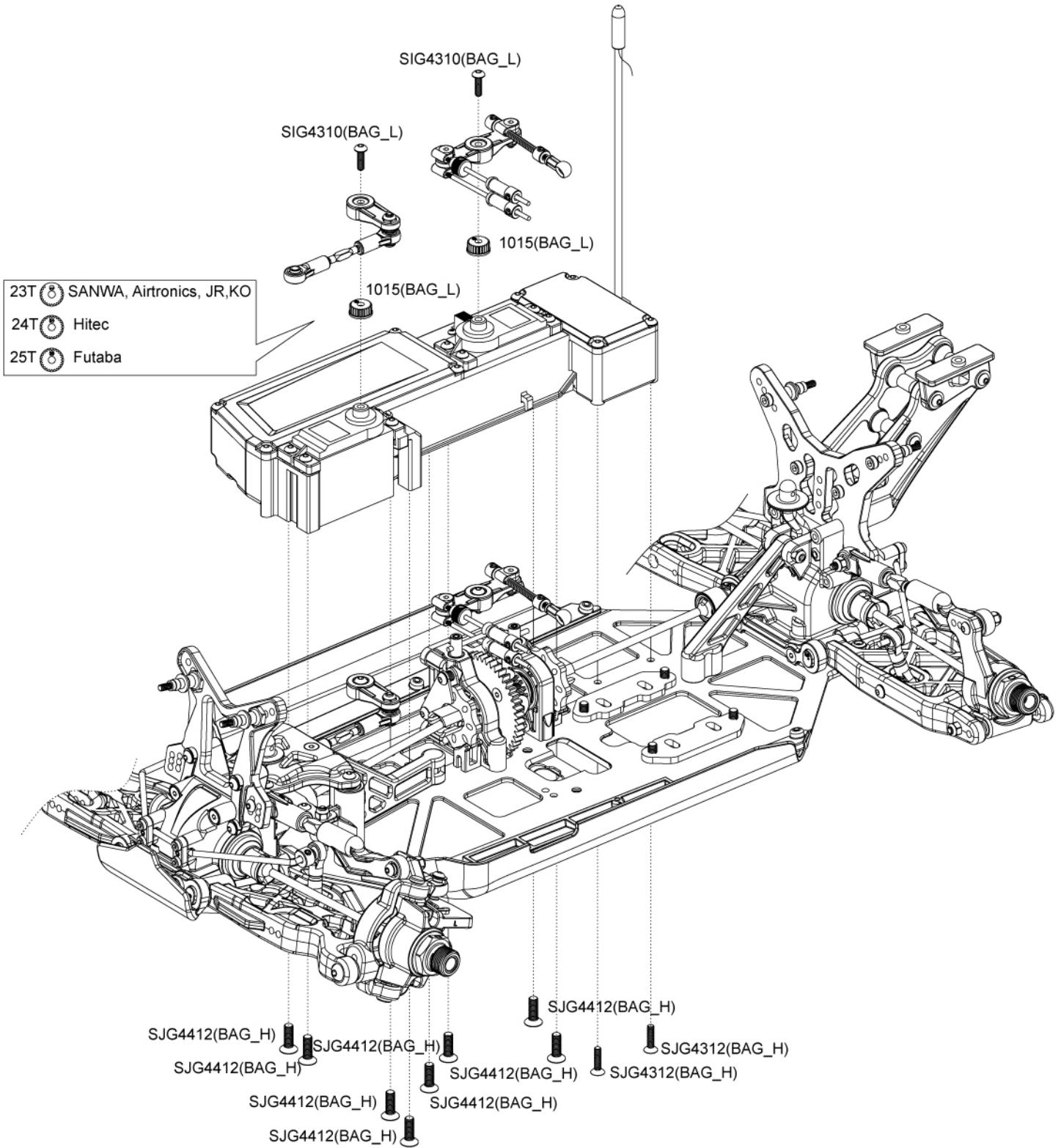
Rear End Installation



CHASSIS INSTALL **A215**

STEP - 5

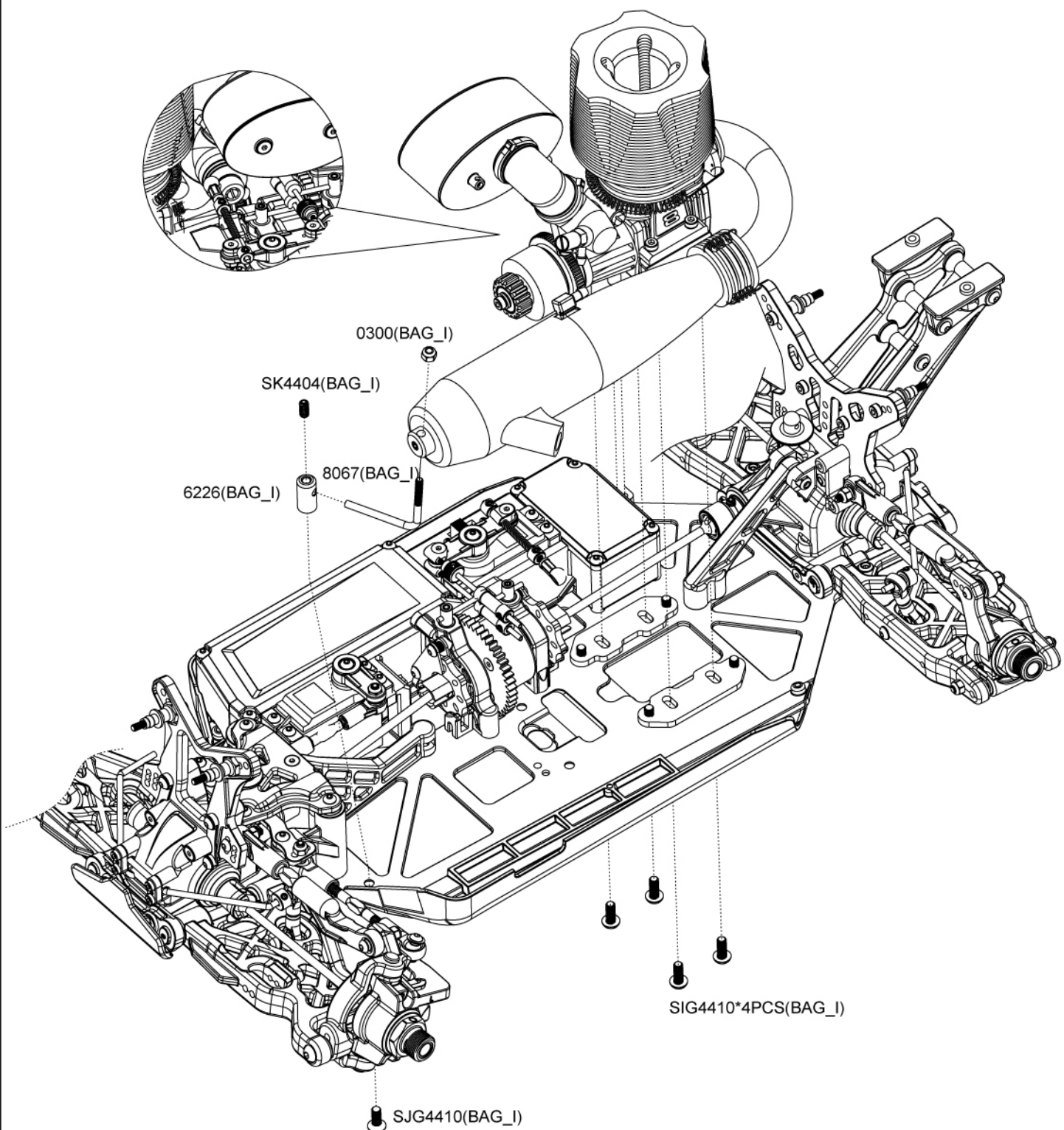
Radio Tray Installation



CHASSIS INSTALL A215

STEP - 6

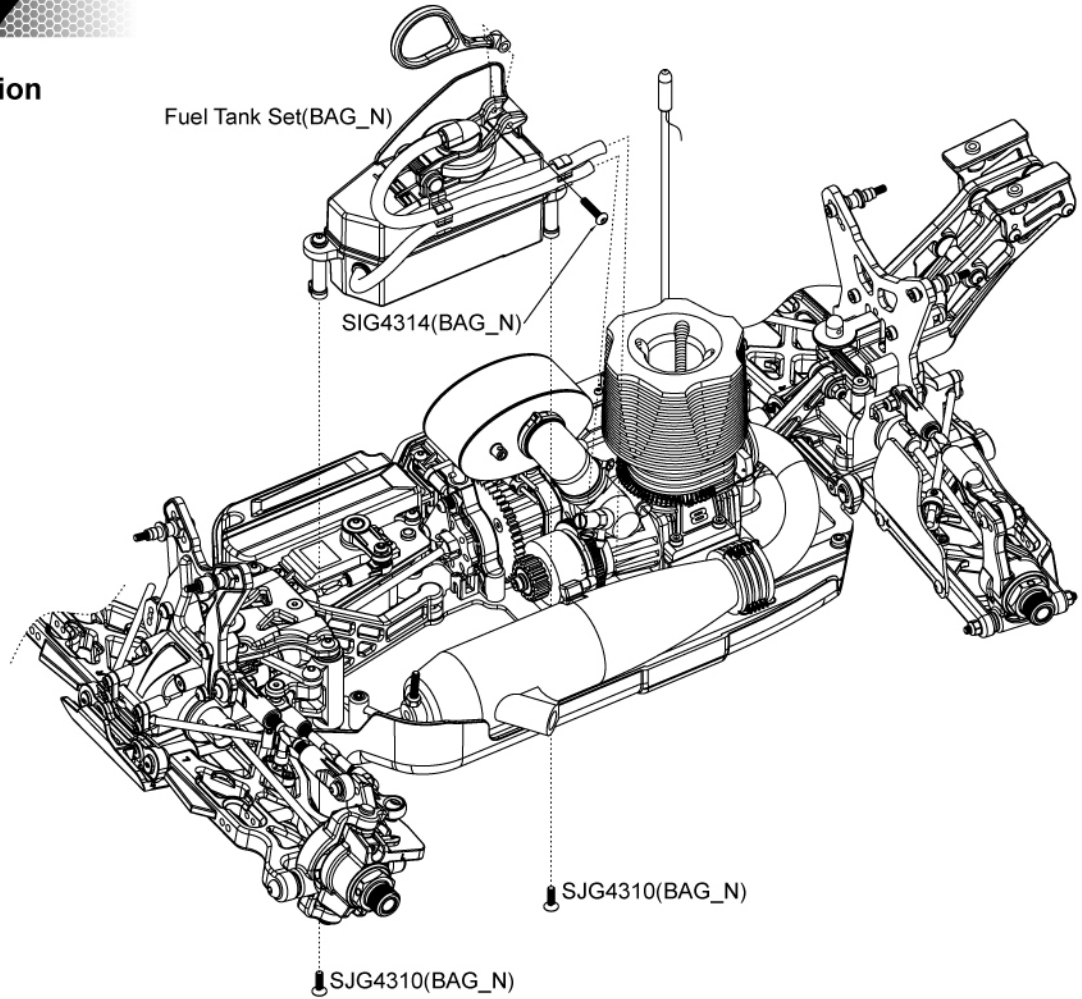
Engine Set Installation



CHASSIS INSTALL A215

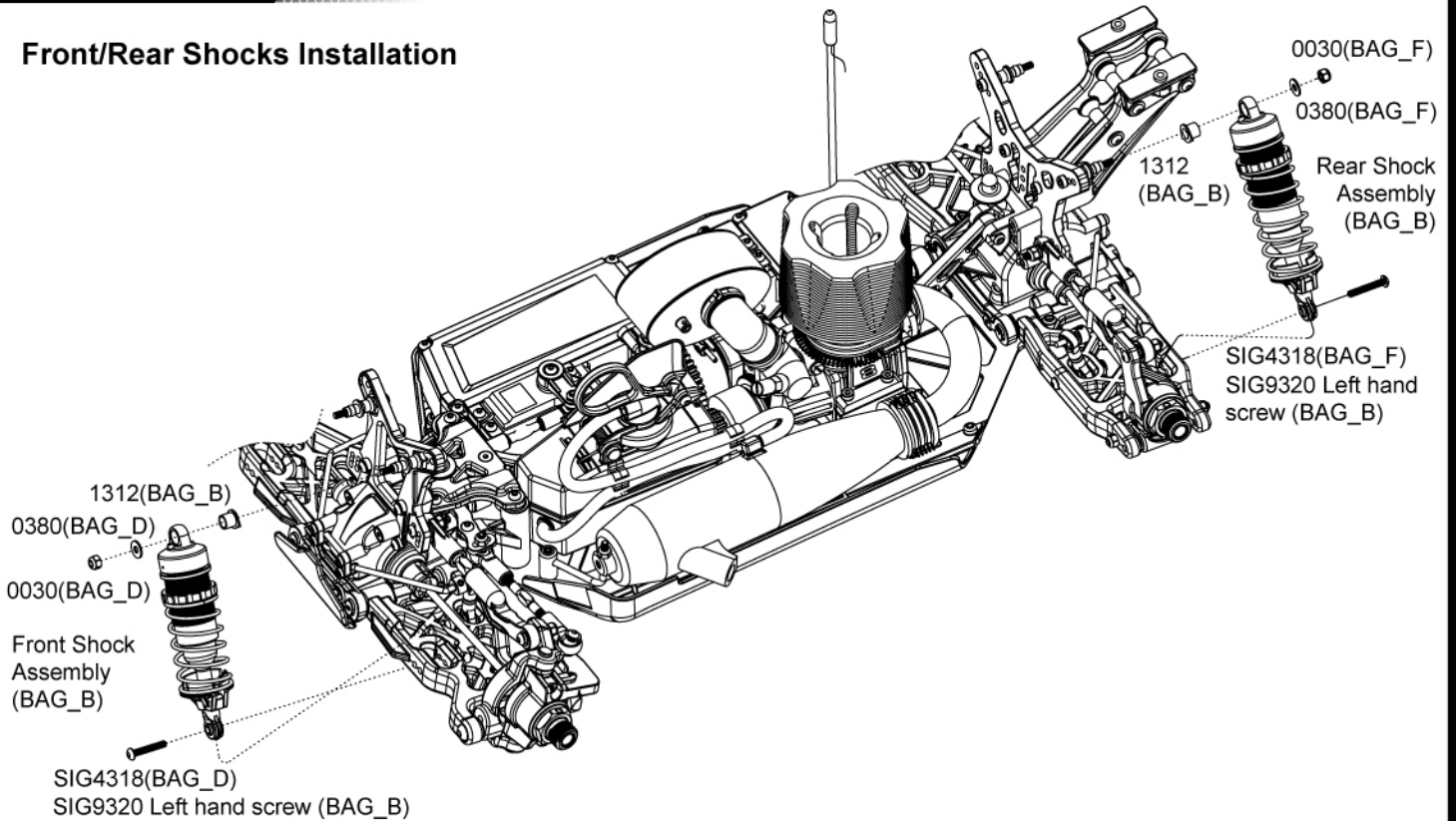
STEP - 7

Fuel Tank Installation



STEP - 8

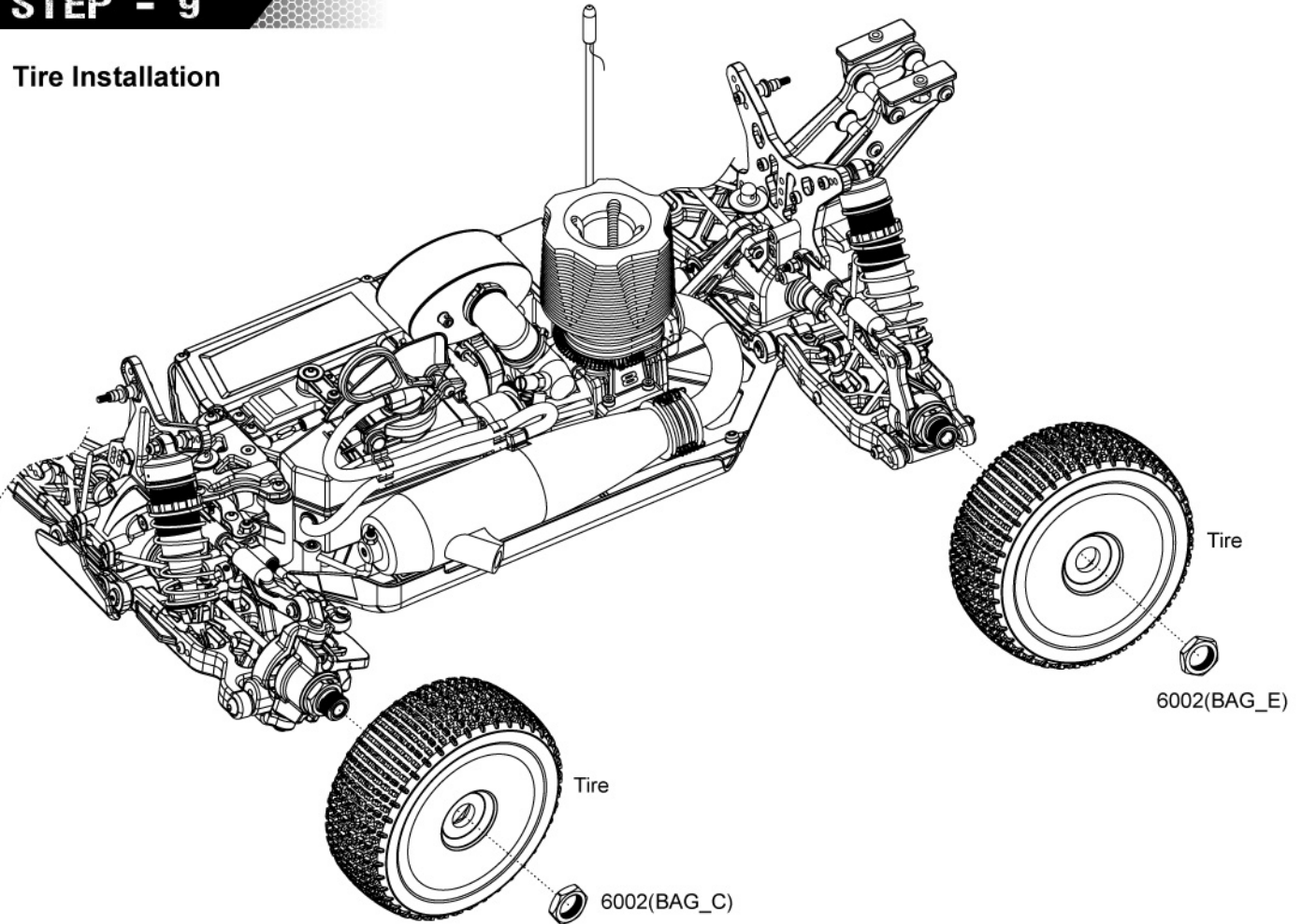
Front/Rear Shocks Installation



CHASSIS INSTALL A215

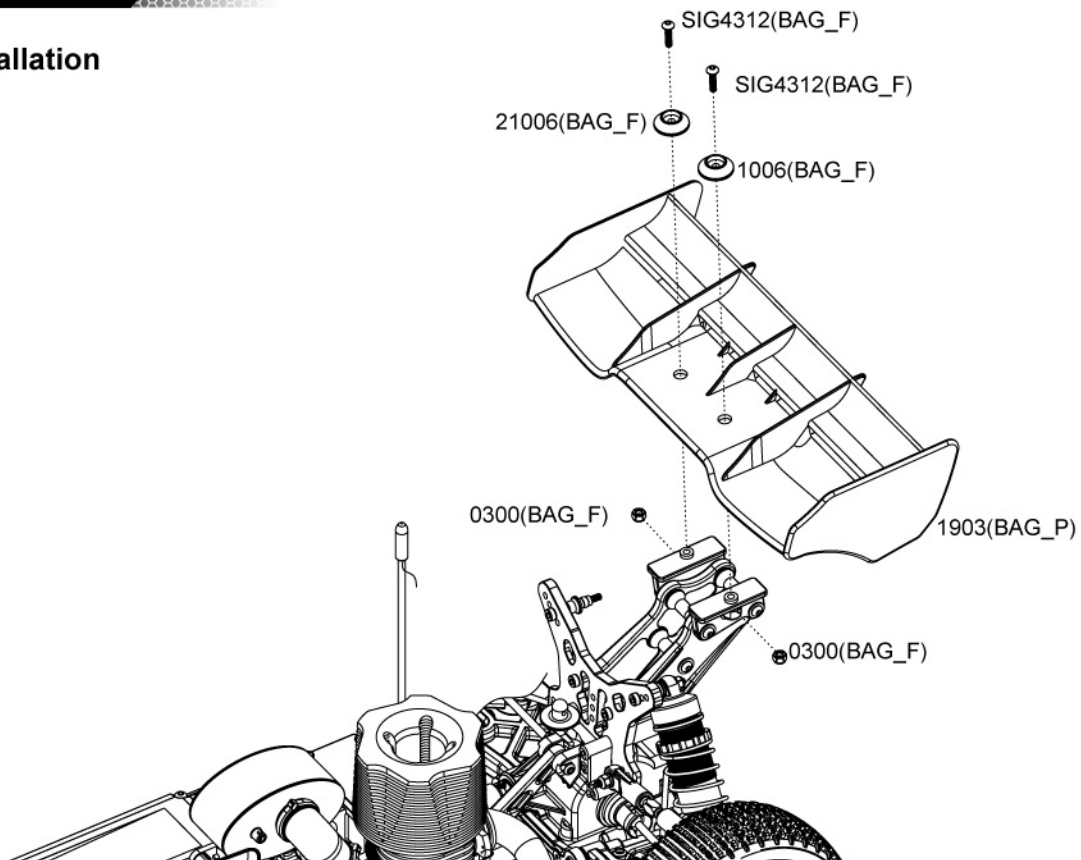
STEP - 9

Tire Installation



STEP - 10

Win Installation



A215



 **agama**

***1/8 SCALE 4WD NITRO
OFFROAD BUGGY***

U.J. ENTERPRISE CO., LTD.
E-mail: contact@agama-rc.com